



# V-SHAPED GENERATOR MOUNT

## DESCRIPTION

The V-shaped AMC-Mecanocaucho® Generator supports are comprised of two symmetrically-tilted metal parts with a screw on each side.

## TECHNICAL CHARACTERISTICS

The V-shaped generator mounts render it possible to make installations which are more elastic than the ones usually made with cylindrical or bobbing mounts. This makes it possible to achieve lower frequencies and consequently better vibration isolation.

Stability is enhanced when two are installed, symmetrically opposed. See fig. 1.

They have two different length screws which facilitate the assembly of the the engine to the chassis. The screws can be supplied in different lengths to order.

They have two "anti-turn" tabs which stop the mount from turning when strong tightening torque is applied (very frequently) with pneumatic tools.

They are supplied in 2 hardnesses to adapt to different load ranges.

They provide vibration attenuation of above 90% in diesel or petrol single-cylinder engines running at 3000 rpm.

## APPLICATIONS

Very low-load engines requiring high levels of isolation.

Portable gen sets, compressors, motor pumps...

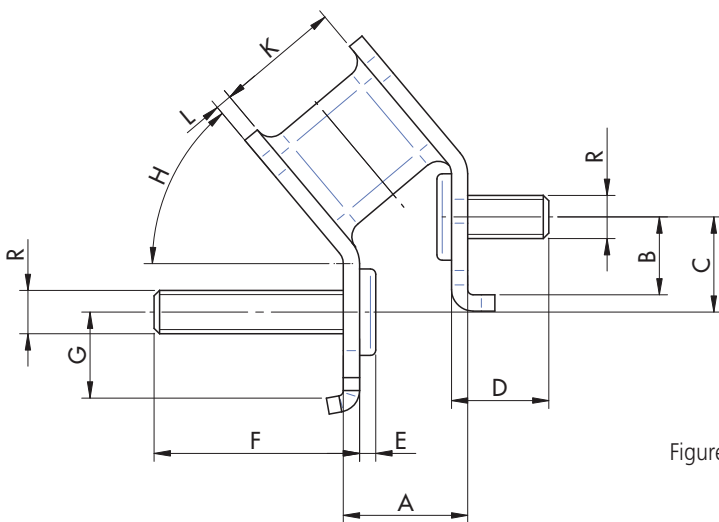
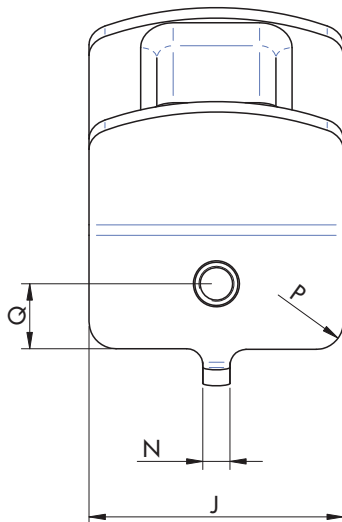
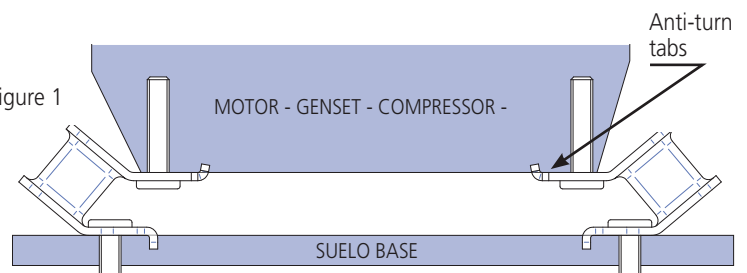


Figure 1

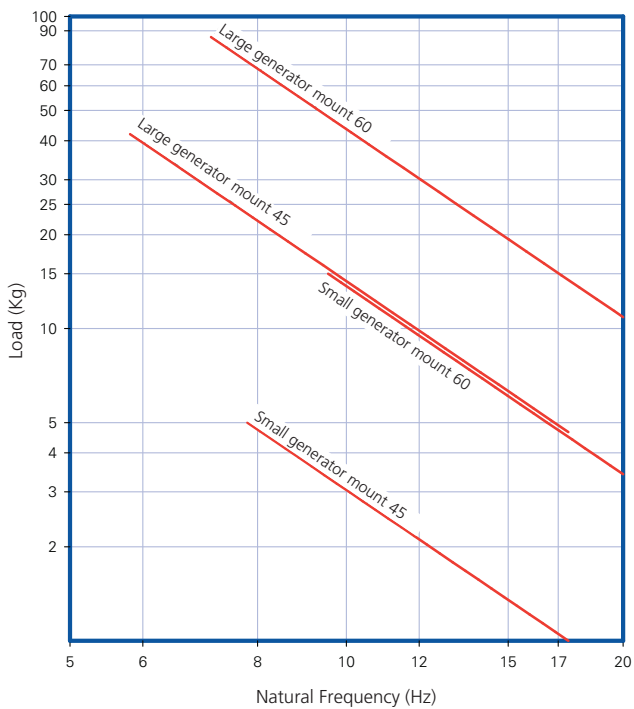


TYPE	A	B	C	D	E	F	G	H	J	K	L	N	R	P	Q	45 Sh	60 Sh	WEIGHT (gr)
																Max. Load (Kg)	Max. Load (Kg)	
Small	23	14,5	18	18	3	38	15,9	50°	47	23	3	5	M8	5	11	148151 5	148153 15	150
Large	28	19,5	23	18	3	38	20	50°	54	31	3	7	M8	10	16	148171 40	148173 90	205



### DYNAMIC V-SHAPED GENERATOR MOUNT

AMC NATURAL FREQUENCIES  
MECANOCAUCHO® V-SHAPED GENERATOR MOUNT



### V-SHAPED GENERATOR MOUNT WITH DEFLECTION

AMC LOAD DEFLECTION GRAPHS  
MECANOCAUCHO® V-SHAPED GENERATOR MOUNT

