



SCH

DESCRIPTION

The AMC-Mecanocaucho® SCH type mounts are made of two parts of rubber, one of which bears an inside metal bushing which acts as a guide through the machine anchoring screw.

It is installed pre-compressed on the actual machine frame, whose thickness "E" determines the degree of precompression

TECHNICAL CHARACTERISTICS

This antivibration mount is ideal for applications of major dynamic loads where movement control is necessary, such as in the cabins of all types of mobile vehicles. It also offers optimal stability, as well as good attenuation of impacts and vibrations.

APPLICATIONS

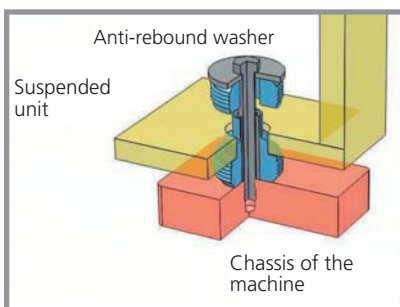
-Vehicle cabins./-Public works and agricultural vehicles, etc.

ASSEMBLY INSTRUCTIONS

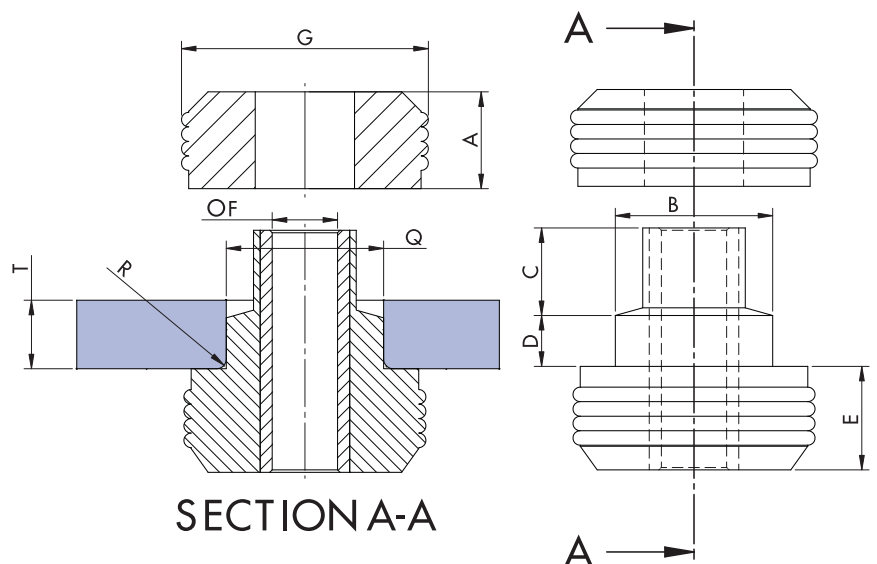
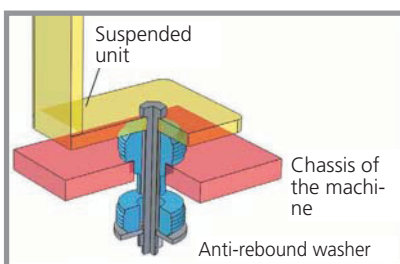
The SCH mounts should be assembled according to the following installation instructions. There are two possible configurations, see assembly 1 and assembly 2, for which the recommendations given in the following chart must be observed. They can be installed in plates of different thicknesses according to the Tmax and Tmin values given in the table at the bottom. The load vs. deformation curves will vary according to the thickness of the plate on which the mount is to be installed.



- Assembly 1



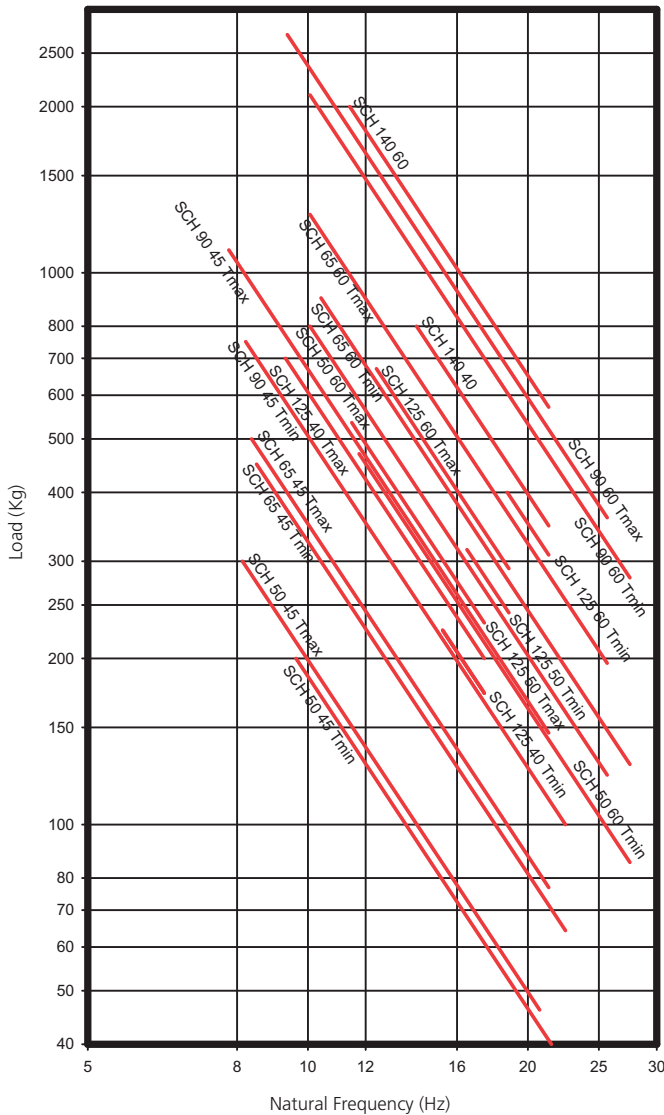
- Assembly 2



TYPE	A	B	C	D	E	F	G	Q	T (Máx.)	T (Mín.)	WEIGHT (gr)	R	CODE	Ref	Max. Load	WASHERS	Øext	Øint	THICKNESS
SCH 50	20	31,5	18,5	11	20,5	13,5	49	30,8	14	12,5	153	1,5	138501	45 sh	80	608099	54	13,5	4
													138504	60 sh	130	608099	54	13,5	4
SCH 65	23	39,5	24	15	23	17	63,5	38,5	22	19	350	2,5	138502	45 sh	120	608100	67	16,5	5
													138505	60 sh	260	608100	67	16,5	5
SCH 90	25	58	31	17	25	23	88	54,5	29	25	675	3	138503	45 sh	260	608101	96	22	6
													138506	60 sh	450	608101	96	22	6
SCH 125	32	65	32,5	22	32	27	125,5	63,5	32	25	1440	3	138514	50 sh	650	610123	125	25	8
													138515	60 sh	800	610123	125	25	8
SCH 140	35	70	31	13	35	31	140	70	20	20	1900	4	138508	45 sh	700	608115	145	30	10
													138510	60 sh	2000	608115	145	30	10

DYNAMIC SCH

AMC NATURAL FREQUENCIES
MECANOCAUCHO[®] SCH TYPE



SCH DEFLECTION

AMC LOAD DEFLECTION GRAPHS
MECANOCAUCHO[®] SCH TYPE

