



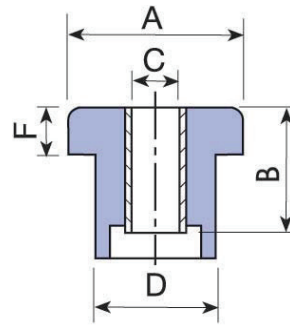
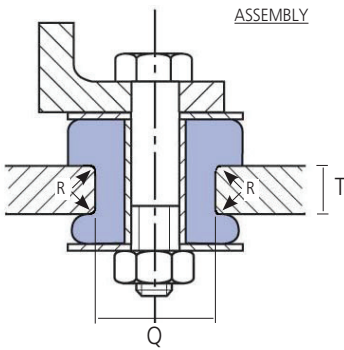
# SCB

The SCB elastic mounts are elements that work on the basis of compression since thanks to their design and assembly they provide an anti-rebound effect, thus permitting safety assemblies.

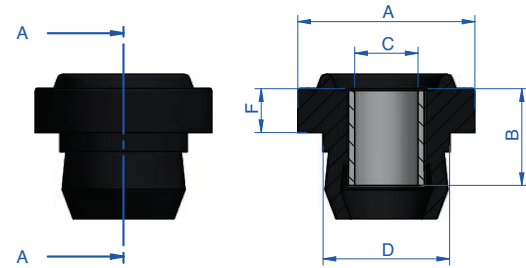
## ADVANTAGES

- Easy to assemble.
- Simple and economical product.
- Wide range of loads.

The inside stop effect makes them very recommendable for safety purposes.



Aspect for SCB 35

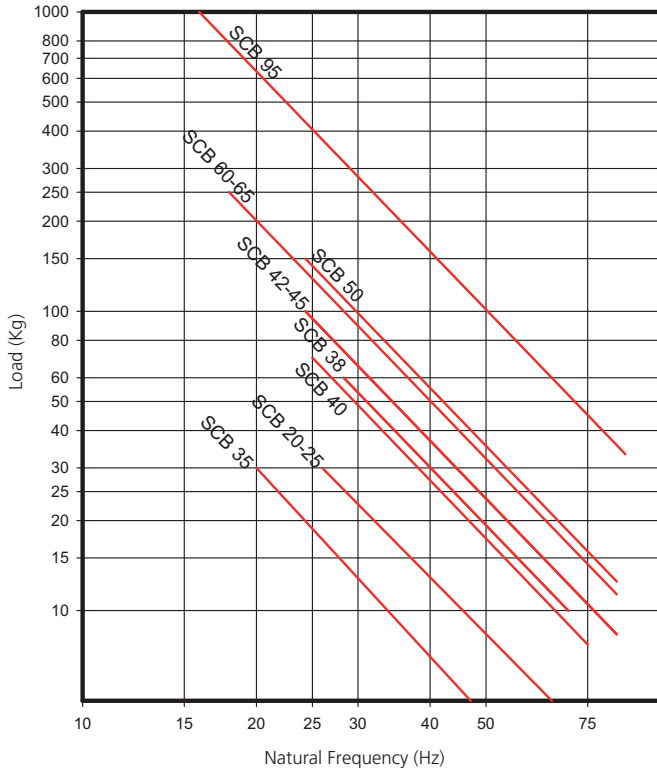


TYPE	A	B	C (ø)	D	F	Q	T (Máx.)	T (Min.)	AMC	CODE	WEIGHT (gr)	WASHER	CODE
SCB 20	27	15,5	10	20	6,5	20,5	5	4	Ref Max. Load (Kg)	138013 30	20	SCB 20	606185
SCB 25	27	21	10	20	6,5	20,5	11	10	Ref Max. Load (Kg)	138001 50	20	SCB 25	606185
SCB 35	27,5	12,5	8	19,4	7	20	4	3	Ref Max. Load (Kg)	138012 25	20	SCB 35	606185
SCB 38	34,5	19	10,5	20,5	11,5	21	5	3	Ref Max. Load (Kg)	138043 50	-	SCB 38	611065
SCB 40	35	15,5	13	27	7	27,5	5	4	Ref Max. Load (Kg)	138022 75	25	SCB 40	611065
SCB 42	42	21	13	31	10	31,5	7	5	Ref Max. Load (Kg)	138051 75	28	SCB 42	606501
SCB 45	42	25	13,5	31	10,5	31,5	11	10	Ref Max. Load (Kg)	138002 100	56	SCB 45	606501
SCB 50	49	35	13,5	34	13,5	34,5	17	16	Ref Max. Load (Kg)	138003 200	73	SCB 50	606131
SCB 60	63	31,2	16,2	41	16	41,5	10	9	Ref Max. Load (Kg)	138004 250	108	SCB 60	606130
SCB 65	62	44,5	16,5	40	17	40,5	20	19	Ref Max. Load (Kg)	138005 250	140	SCB 65	606130
SCB 95	92	51,5	20,5	56	26	56,5	20	19	Ref Max. Load (Kg)	138011 1000	395	SCB 95	606192

**AMC**® **SCB TYPE**  
MECANOCAUCHO

### DYNAMIC SCB

AMC NATURAL FREQUENCIES  
MECANOCAUCHO® SCB TYPE



### SCB DEFLECTION

AMC LOAD DEFLECTION GRAPHS  
MECANOCAUCHO® SCB TYPE

