



NP MOUNTS

DESCRIPTION

The AMC-MECANOCAUCHO® NP mounts are composed of a metallic flange and a bush that are bonded to a high resilient rubber compound.

The AMC-MECANOCAUCHO® NP mounts can be fitted with overload/rebound washers. This allows fail-safe installations. For this purpose we recommend using washer Ref. AMC: 608074 that has the following dimensions :76x16.5x5mm.

The flange comes with four fixing holes and the inner bush allows upto 120 N/mm tightening torque.

TECHNICAL CHARACTERISTICS

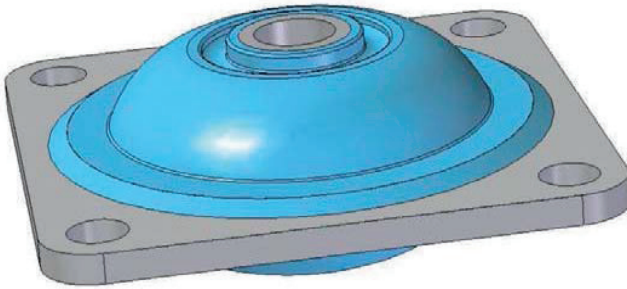
AMC-MECANOCAUCHO® NP mounts can be applied in mobile applications when installed with overload/rebound washers.

AMC-MECANOCAUCHO® NP mounts are available in several rubber hardnesses to suit the p g q load range of the application.

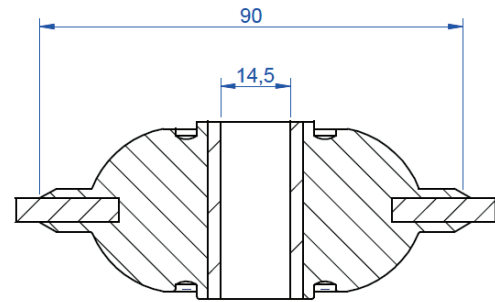
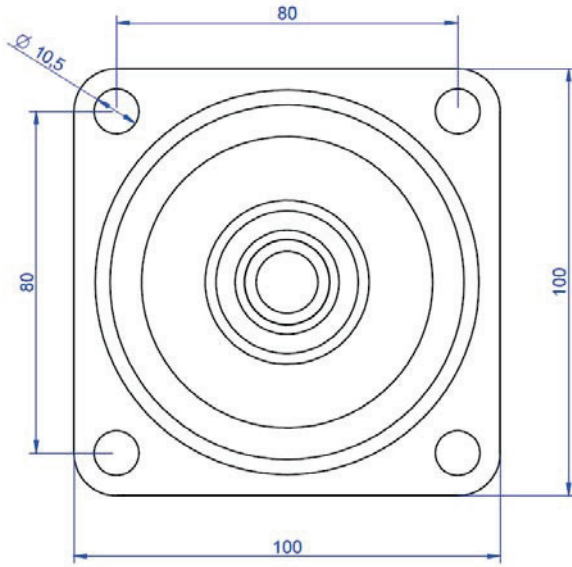
APPLICATIONS

AMC-MECANOCAUCHO® NP mounts are used for the effective noise and vibration isolation in the following applications:

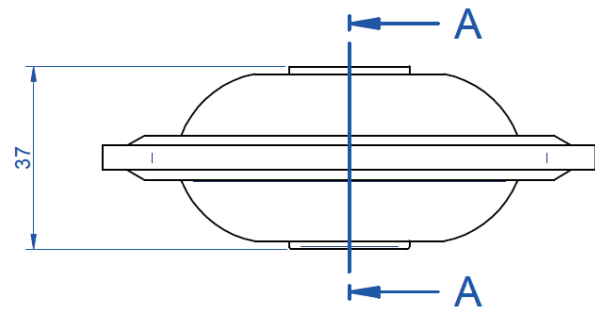
- Agricultural equipment
- Construction equipment machinery.
- Cranes.
- Forklift trucks.
- Multipurpose vehicles.



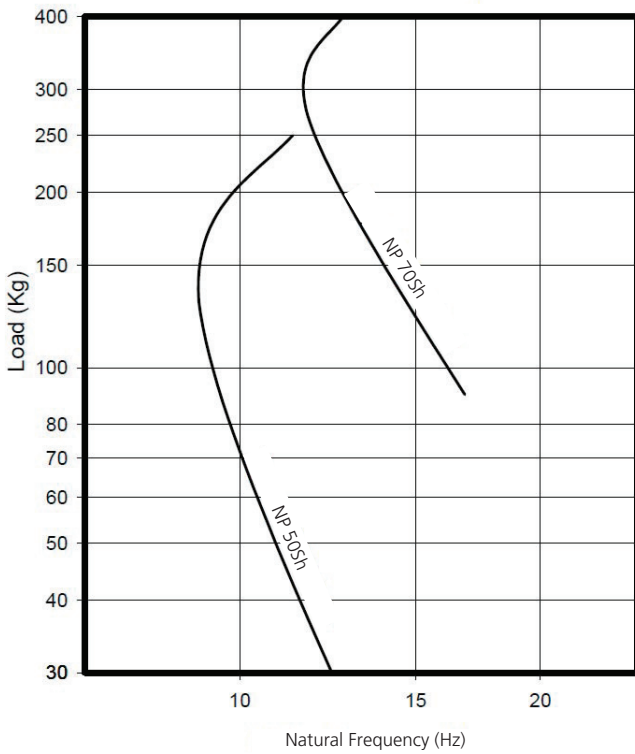
	Max. Load (Kg)	CODE
50 Sh	250	138202
70 Sh	400	138203



A-A SECTION



Natural Frequency
MECANOCAUCHO[®] Type NP



LOAD DEFLECTION CURVE
MECANOCAUCHO[®] Type NP

