



The N.F.-type AMC Mekanocaucho<sup>®</sup> mounts are used in cases where light or heavy machines should not be fixed to the floor or ground.

The height adjustment system can be used to adjust the machines to the required level, thus insulating from vibrations and reducing noise. The AMC-Mekanocaucho<sup>®</sup> type NF comes with a tilting system allowing optimum adaptation to all surfaces.

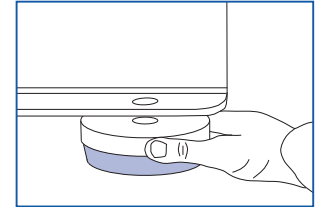
The elastomer used is a mixture of oil-resistant synthetic Nitrile Butadiene Rubber (NBR).

Height is adjusted by means of a screw, although this operation can even be performed once the machine has been assembled. The wide contact between the base of the machine guarantees good overall stability.

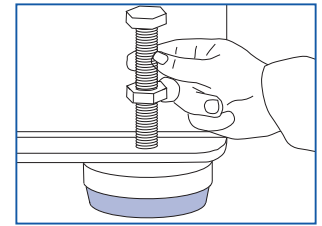
# LEVELLING MACHINE MOUNTS

## INSTALLATION INSTRUCTIONS

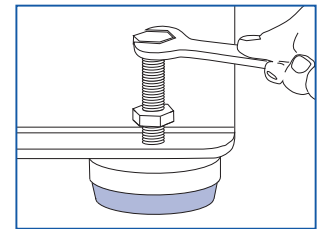
Lift the machine and insert the mount under it.



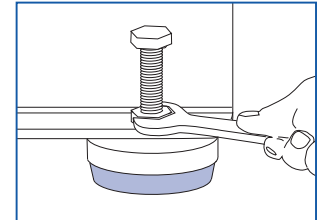
Insert and turn the screw manually until it slots into place.



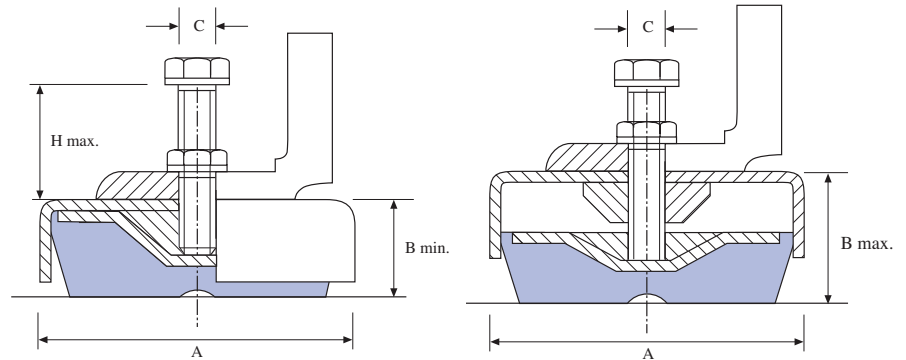
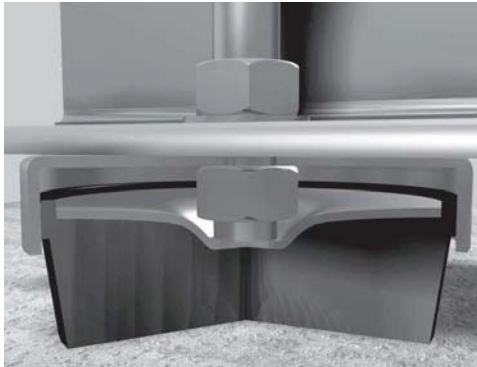
Adjust the height of the machine by turning the screw.



Block using the checknut.

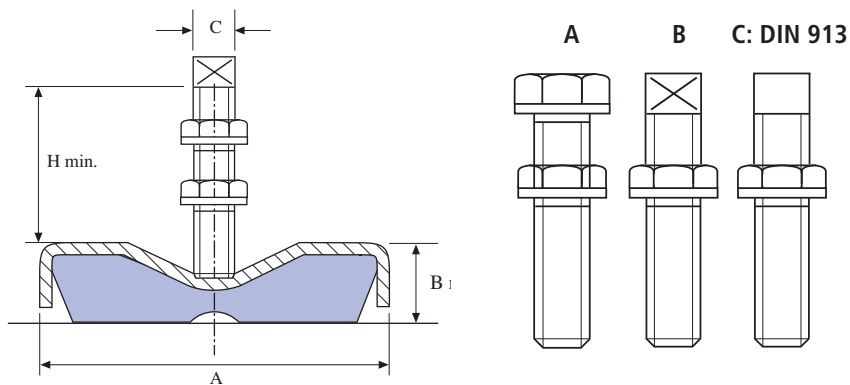


## MECANOCAUCHO® TYPE NF



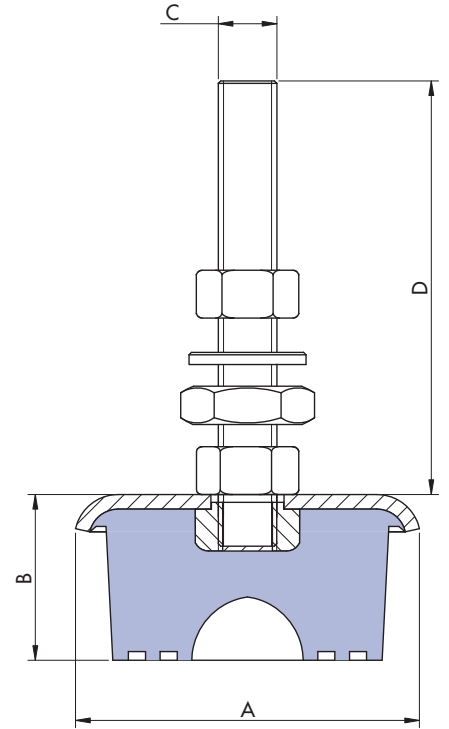
TYPE	A mm.	B mm.			H mm. Max	C	STATIC LOAD Nominal Kg.	DEFLECTION mm.	WEIGHT (g)	CODE
		Min	Max	Adjustm.						
NF-65	65	27	34	7	110	M-12	320	2	349	142001
NF-85	85	33	46	13	127	M-16	650	2	732	142002
NF-100	100	35	48	13	130	M-16	980	2	960	142003
NF-130	130	45	58	13	140	M-20	2.500	3	1.891	142004
NF-160	160	53	66	13	140	M-20	4.000	3	3.397	142005
NF-200	200	55	68	13	100	M-24	5.000	3	4.958	142006
NF-250	250	67	85	18	110	M-30	7.000	3	8.575	142007

## MECANOCAUCHO® NFR TYPE



TYPE	A mm.	B mm.	H mm.	C	STATIC LOAD Nominal Kg.	DEFLECTION mm.	WEIGHT (g)	CODE
NFR-85	85	33	100	M-16	650	2	713	142009
NFR-100	100	35	100	M-16	980	2	929	142010
NFR-130	130	45	130	M-20	2.500	3	1.832	142011
NFR-160	160	53	130	M-20	4.000	3	3.330	142012
NFR-200	200	55	140	M-24	5.000	3	4.924	142013

# SV



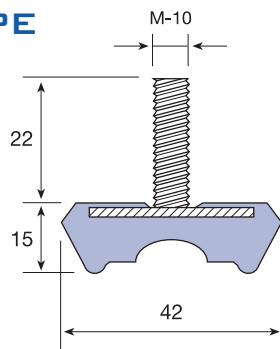
TYPE	DIMENSIONS mm.				LOAD Kg.		WEIGHT (g)	CODE
	A	B	C	D	MIN	MAX		
000	40	23	M-8	48	20	80	89	143001
00	60	28	M-10	81	60	120	235	143002
0	70	32	M-12	89	90	160	350	143003
1	85	32	M-12	89	130	350	456	143004
2	100	40	M-14	109	270	600	702	143005
3	120	37	M-16	116	450	900	954	143006
4	140	55	M-16	116	700	1200	1513	143007
5	160	60	M-16	116	1100	1750	1865	143008
6	180	70	M-24	138	1500	2500	3034	143009
7	210	75	M-24	138	2100	3750	4248	143010



## MECANOCAUCHO® JT TYPE

### APPLICATIONS

Levelling machine mounts



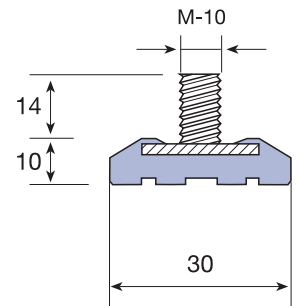
HARDNESS	LOAD Kg.	CODE	WEIGHT (g)
50	25-40	144001	53
75	75-100	144002	53



## MECANOCAUCHO® SX TYPE

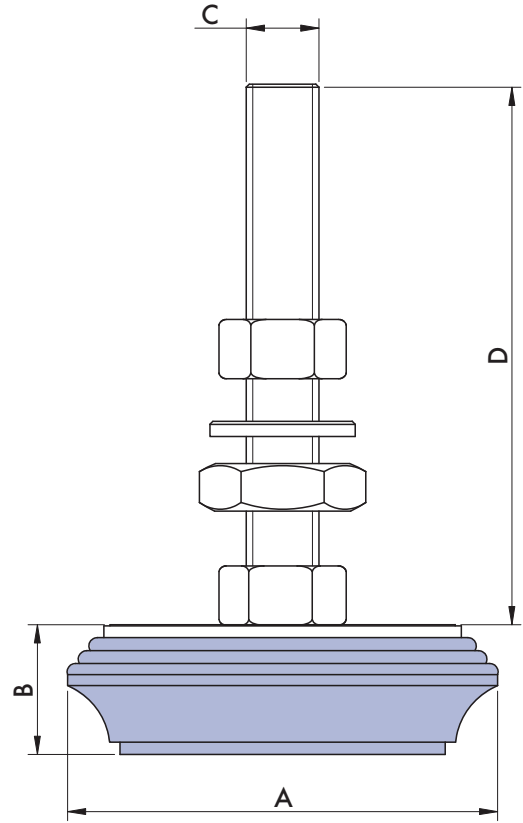
### APPLICATIONS

Levelling machine mounts



HARDNESS	LOAD Kg.	CODE	WEIGHT (g)
50	10-25	145001	25

# LOW SV



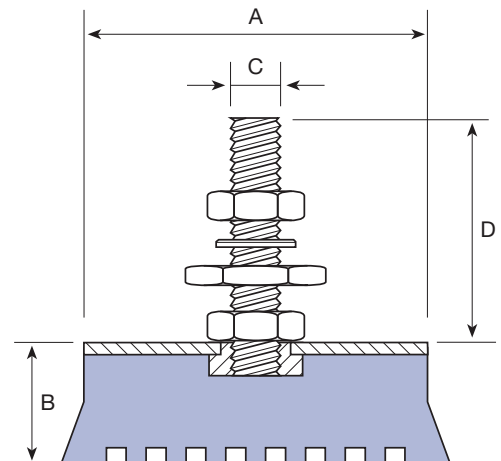
TYPE	DIMENSIONS mm.				LOAD Kg.		WEIGHT (g)	CODE
	A	B	C	D	MIN.	MAX.		
00 B	60	18	M-10	81	60	120	187	147001
0 B	70	20	M-12	89	90	160	286	147002
1 B	85	25	M-12	89	130	350	382	147003
2 B	100	20	M-14	109	270	600	574	147004
3 B	120	28	M-16	116	450	900	867	147005
4 B	140	33	M-16	116	700	1200	1300	147006
5 B	160	36	M-16	116	1100	1750	1556	147007

\* Can be supplied in stainless steel

## MECANOCAUCHO® SM TYPE

### APPLICATIONS

Levelling machine mounts



TYPE	DIMENSIONS mm.				LOAD Kg. MAX.	CODE	WEIGHT(g)
	A	B	C	D			
S.M.-40	40	18	M-8	48	45	146001	79
S.M.-60	65	28	M-12	89	150	146002	307
S.M.-70	75	29	M-12	89	250	146003	363
S.M.-90	95	30	M-12	89	500	146004	573
S.M.-120	125	31	M-16	116	1.000	146005	904