



FZ SYLOMER[®] MOUNTS

DESCRIPTION

The AMC-MECANOCAUCHO[®] FZ mounts use high resiliency Sylomer[®] poliurethane compounds. The internal architecture of the mount is composed of two metal parts surrounded by the elastic compound. The exterior metallic armor incorporates 4 holes for the fixation of the mount to the frame. The interior metal part consists of a machined metal ring that transfers the traction and compression loads to the elastomer. This machined metal ring has a wider diameter than the exterior metal armor acting as a failsafe device.

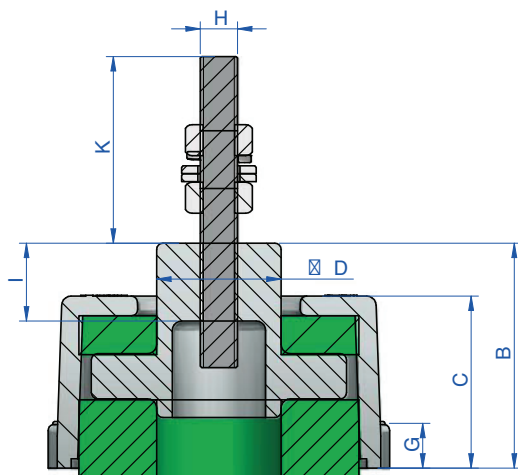
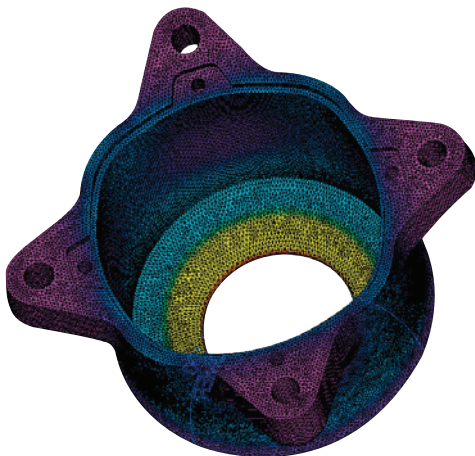
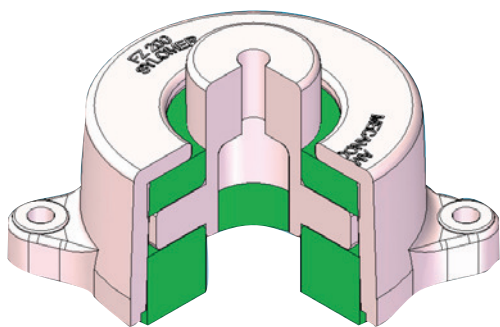
TECHNICAL CHARACTERISTICS

- The AMC-MECANOCAUCHO FZ mounts incorporate interlocking metal component that provide a fail-safe protection for mobile applications. This device limits the ascending vertical movement when the mounting is submitted to shocks at traction.
- The thickness of the metal parts are robust and are suitable for off road applications. The metal parts have a suitable anticorrosive treatment for outdoor applications.
- The Sylomer[®] polyurethane compound is oil resistant and the temperature range of the FZ mounts is -30°C +70°C APPLICATIONS.

APPLICATIONS

The AMC-MECANOCAUCHO[®] FZ mounts have been primarily designed for mobile applications.

They are often used for the isolation of sensitive equipment embarqued on vehicles submitted to shocks.



CORTE A-A



CODE	MAX. LOAD		DIMENSIONS									
	TYPE	Max. Load (Kg.)	A	B	C	∅D	∅E	F	G	H	I	K
176301	FZ-100-57-M12 + Kit Niv.	200	80	56	48	25	6,5	67	8	12	40	60
176311	FZ-200-51-M12 + Kit Niv.	170-280	108	72	55	40	8,5	90	10	12	25	60
176321	FZ-200-57-M12 + Kit Niv.	280-400	108	72	55	40	8,5	90	10	12	25	60
176323	FZ-200-57-M14 + Kit Niv.	280-400	108	72	55	40	8,5	90	10	14	25	60
176331	FZ-400-51-M14 + Kit Niv.	460-800	155	95	80	65	12,5	125	15	14	28	60
176341	FZ-400-57-M16 + Kit Niv.	800-1000	155	95	80	65	12,5	125	15	16	28	60
176351	FZ-600-51-M18 + Kit Niv.	1000-1200	175	95	80	65	14	140	15	18	28	60
176361	FZ-600-57-M20 + Kit Niv.	1200-1500	175	95	80	65	14	140	15	20	28	60
176371	FZ-1000-57-M20 + Kit Niv.	1500-2000	205	95	80	65	16	162	15	20	28	60

CODE	MAX. LOAD		DIMENSIONS									
	TYPE	Max. Load (Kg.)	A	B	C	∅D	∅E	F	G	H	I	
176302	FZ-100-57-M12	200	80	56	48	25	6,5	67	8	12	40	
176312	FZ-200-51-M12	170-280	108	72	55	40	8,5	90	10	12	25	
176322	FZ-200-57-M12	280-400	108	72	55	40	8,5	90	10	12	25	
176324	FZ-200-57-M14	280-400	108	72	55	40	8,5	90	10	14	25	
176332	FZ-400-51-M14	460-800	155	95	80	65	12,5	125	15	14	28	
176342	FZ-400-57-M16	800-1000	155	95	80	65	12,5	125	15	16	28	
176352	FZ-600-51-M18	1000-1200	175	95	80	65	14	140	15	18	28	
176362	FZ-600-57-M20	1200-1500	175	95	80	65	14	140	15	20	28	
176372	FZ-1000-57-M20	1500-2000	205	95	80	65	16	162	15	20	28	

