



ECCENTRIC BUSHINGS

DESCRIPTION

In eccentric bushing the center points of the inner and outer cylinders are not the same. As a result it is more flexible in the direction of the main load and it keeps the same control in the other direction.

The eccentric bushing is available in two hardnesses, 45 and 60 sh.

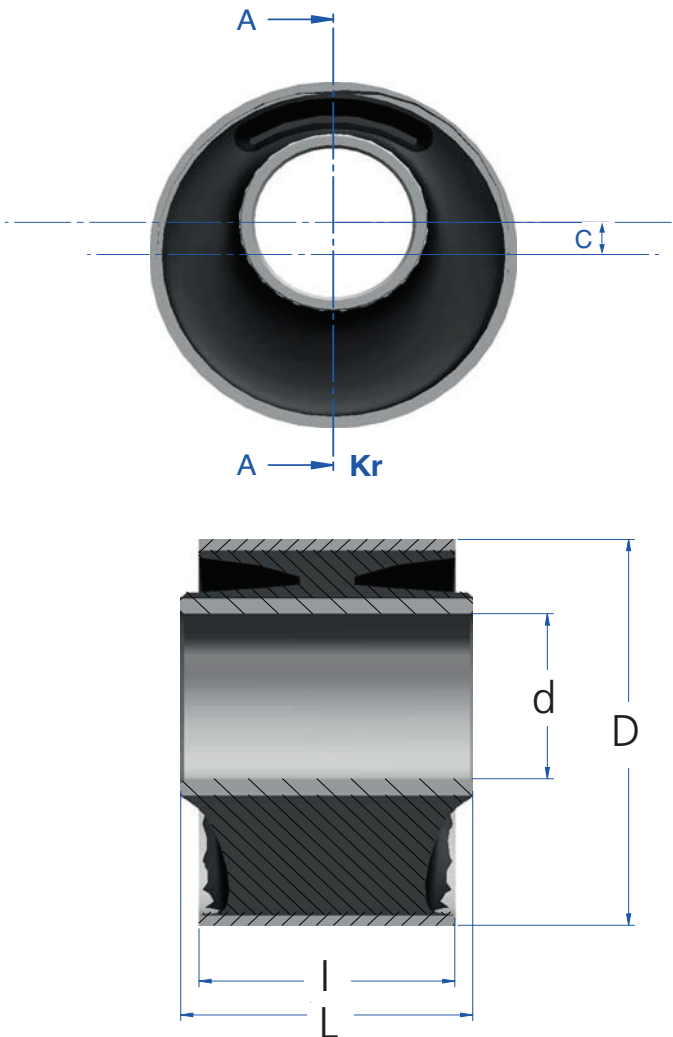
TECHNICAL FEATURES

- Optimal vibration damping and isolation.
- Fit to use for robust and safe constructions.
- Simple installation and application.
- Maximum load of bushing 45SH is about 300Kg.
- Maximum load of bushing 60SH is about 460Kg.

APPLICATION

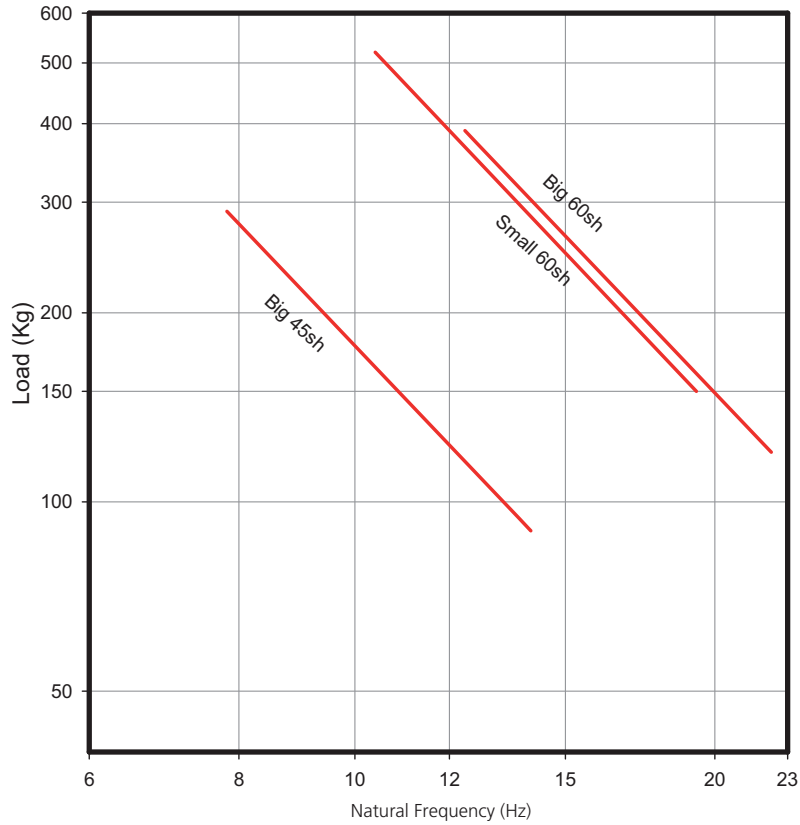
The AMC MECANOCAUCHO® eccentric bushing is best suited to the following situations and applications :

- Tilting cab suspension.
- Suspension arms.



TYPE	d	D	I	L	C	AMC	45 Sh	60 Sh
Small	24	75,3	50,8	70	10,5	Ref Max. Load (Kg)		154158 290
Large	43,7	101,6	63,5	72,4	9,5	Ref Max. Load (Kg)	154154 390	154155 510

AMC NATURAL FREQUENCIES
ECCENTRIC BUSHING



AMC LOAD DEFLECTION GRAPHS
ECCENTRIC BUSHING

