



# DRD

## DESCRIPTION

The AMC-MECANOCAUCHO® type DRD mounts have a low axial and radial stiffness rate. Their design makes them ideal for those machines that produce vibrations in the 3 directions. The architecture of these mounts is similar to the DSD, but the rubber section is greater, this feature makes them have a lower stiffness rates than the DSD mounts. These mounts are particularly interesting for those applications where an extra isolation is needed.

## OPERATION AND ASSEMBLY

The design of the mount allows an easy installation. The top metal part has an inside thread for securing to the machine, the baseplate has 2/4 holes that allow an easy fixation to the frame. Oil anti-drip hoods can be supplied on demand.

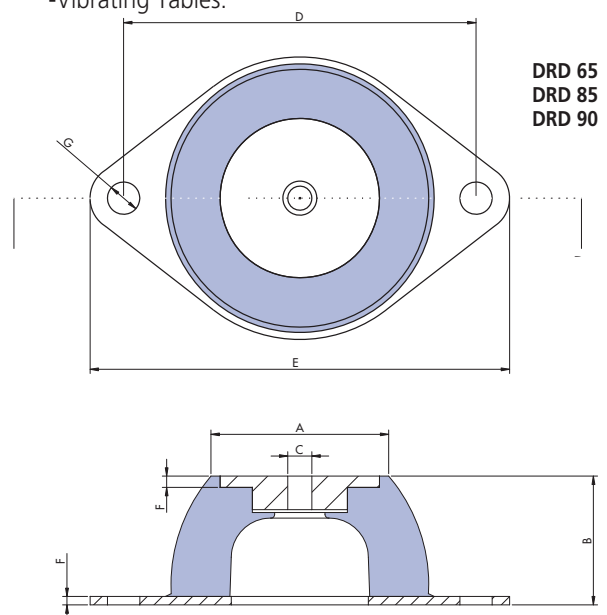
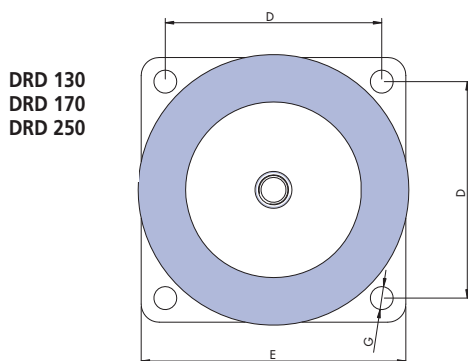
The D.R.D. mounts by Mecanocaucho® have the following characteristics.

- The metal parts are protected from corrosion by an electrolytic coating for outdoor work. RoHs compliant.
- We engrave the rubber hardness on the metal parts.

## APPLICATIONS

The D.R.D. mounts are ideal for light machines at medium or low excitation frequencies.

- Compressors.
- Air-conditioners.
- Ventilators.
- Vibrating Tables.



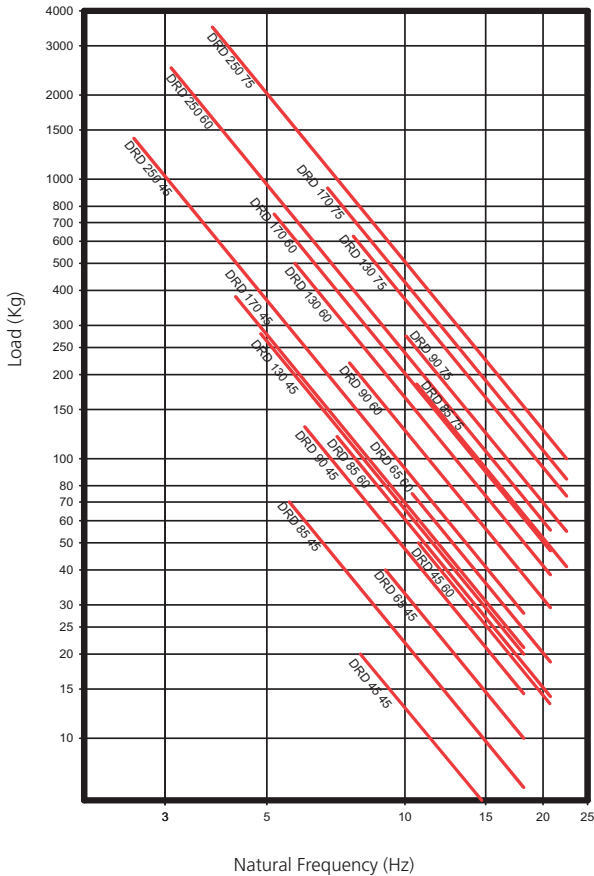
## DRD TYPE

TYPE	A	B	C	D	E	F	G	WEIGHT	CODE	Max.Load (Kg.)	Ref.
DRD 45	33	25	M-8	66	85	2	8	-	175081	20	45 sh
									175083	50	60 sh
									*		75 sh
DRD 65	52	35	M-10	92	114	2,5	10,5	170	175001	40	45 sh
									175002	75	60 sh
									*		75 sh
DRD 85	52	40	M-10	110	136	3	11,5	303	175003	75	45 sh
									175004	120	60 sh
									175013	185	75 sh
DRD 90	57,5	45	M-10	125	150	3	12,5	430	175021	130	45 sh
									175022	220	60 sh
									175023	275	75 sh
DRD 130	78	63	M-12	120	150	5	14,5	1080	175031	280	45 sh
									175032	500	60 sh
									175033	625	75 sh
DRD 170	100	84	M-16	160	200	4	14,5	2390	175036	380	45 sh
									175037	750	60 sh
									175038	930	75 sh
DRD 250	187	158	M-24	250	310	6	18,5	10400	175041	1400	45 sh
									175042	2500	60 sh
									175043	3150	75 sh

\* Manufacture under request.

### DYNAMIC DRD

AMC NATURAL FREQUENCIES  
MECANOCAUCHO® DRD TYPE



### DRD DEFLECTION

AMC LOAD DEFLECTION GRAPHS  
MECANOCAUCHO® DRD TYPE

