

# CONES WITH FIXATION FLANGE

## DESCRIPTION

The cones with fixation flange from AMC-Mecanocaucho® work the elastomer at shear compression. They are comprised of a high strength external metal armour and a conical internal that is placed concentrically.

## TECHNICAL CHARACTERISTICS

The cones with fixation flange from AMC-Mecanocaucho® are conceived to offer predominant axial elasticity under heavy loads. The used elastomer is a low dynamic rigidification elastomer, which makes it possible to obtain low natural frequencies thus maintaining excellent stability of the suspended unit.

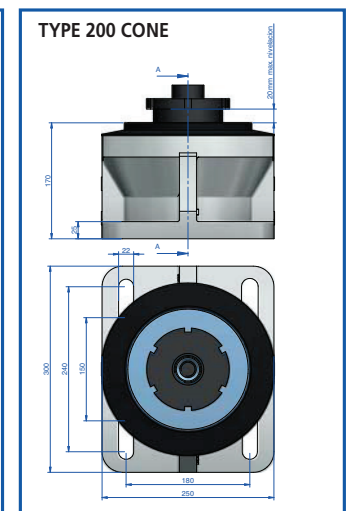
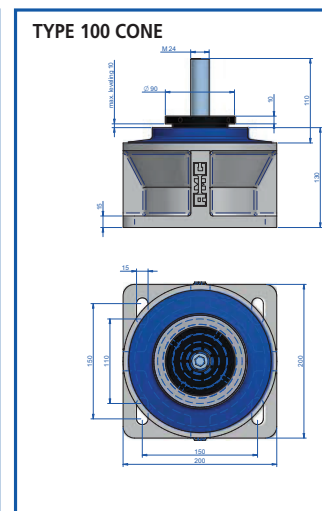
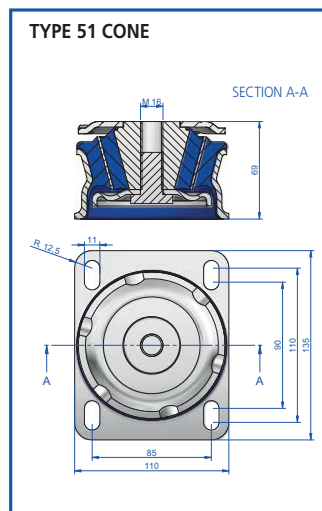
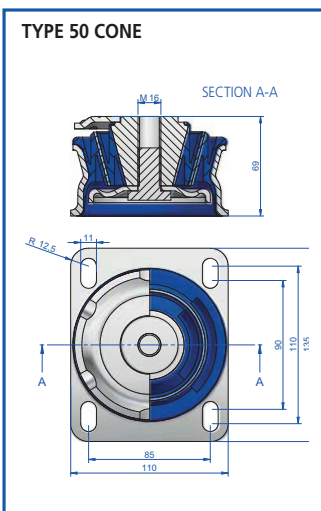
The mount's radial stiffness is superior to the axial. This is particularly interesting for applications where great horizontal stability needs to be maintained.

The AMC-Mecanocaucho® Cone 100 mount is supplied with a height adjuster. This makes it possible to easily align transmission shafts without having to use additional accessories to do so.

All the models also incorporate an interlocking metal part that allow them to act as a FAILSAFE system. Thanks to this, and to the ruggedness of the metal parts, this mount is suitable for applications where the suspended unit is submitted to great shocks.

## APPLICATIONS

The AMC-Mecanocaucho® cones with fixation flange have been designed specially for use in engines and auxiliary machinery for static applications and for applications in all kinds of vehicles.

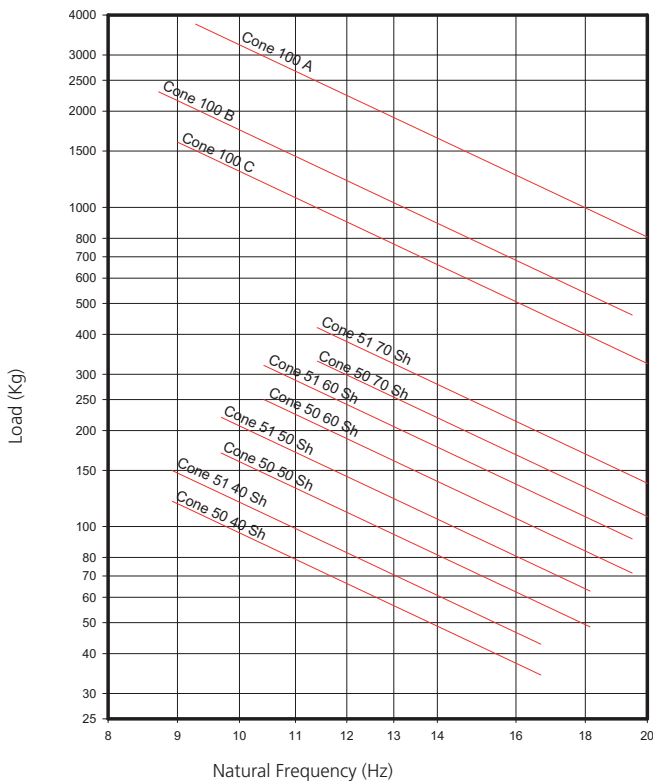


TYP	CODE 40 Sh	CODE 50 Sh	CODE 60 Sh	CODE 70 Sh	WEIGHT (gr.)
Cone 50 M16x2	137085 120 Kg.	137086 170 Kg.	137087 250 Kg.	137088 300 Kg.	1600
Cone 50 M16x1.5	137231 120 Kg.	137233 170 Kg.	137235 250 Kg.	137237 300 Kg.	1600
Cone 51 M16x2	137095 150 Kg.	137096 220 Kg.	13797 320 Kg.	137098 420 Kg.	1750
Cone 51 M16x1.5	137241 150 Kg.	137243 220 Kg.	137245 320 Kg.	137247 420 Kg.	1750
Konus 100	C137152 1600 Kg.	B137157 2300 Kg.	A137165 3750 Kg.		9626

TYPE	CODE	WEIGHT (gr.)	Max Load (Kg.)
Cone 200 A	137810	29000	8500
Cone 200 B	137801	29000	6500
Cone 200 C	137805	29000	3900

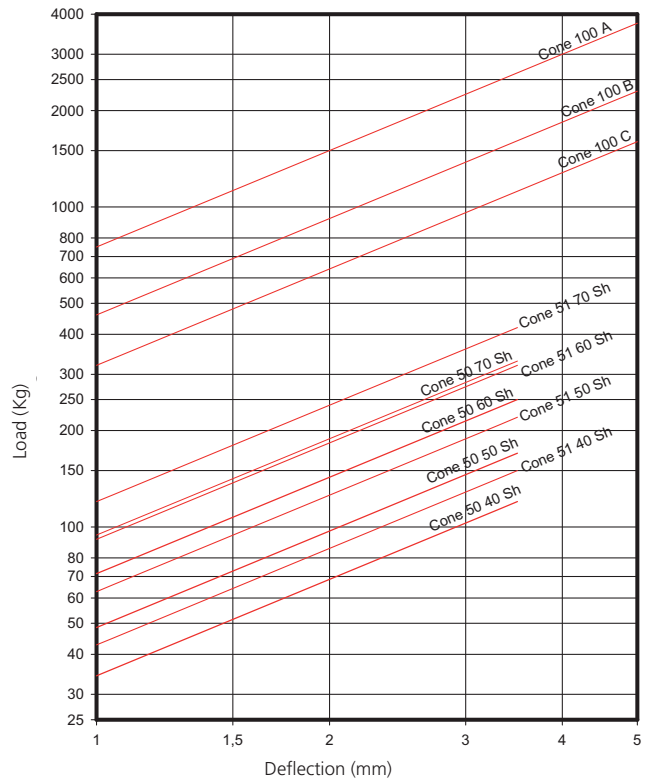
## DYNAMIC CONE

AMC NATURAL FREQUENCIES  
MECANOCAUCHO® CONE TYPE

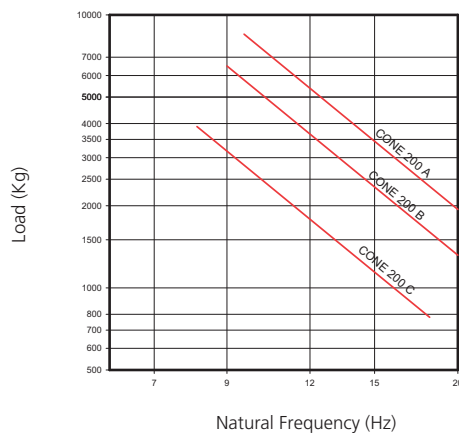


## DEFLECTION CONE

AMC LOAD DEFLECTION GRAPHS  
MECANOCAUCHO® CONE TYPE



AMC NATURAL FREQUENCIES  
MECANOCAUCHO® CONE TYPE 200



AMC NATURAL FREQUENCIES  
MECANOCAUCHO® CONE TYPE 200

