



AMC MECANOCAUCHO® BOBBINS

DESCRIPTION

The AMC Mecanocaucho® Bobbins are devices for making elastic anchorings or fixings. They can be used in a wide variety of applications, particularly for elastic suspensions and antivibration isolation of machines and different mechanical organs.

They are made of a block of rubber with two parallel metal parts at the end which enable it to be fixed either by screws in the "C" model or with nuts in the "A" model or a combination of both in the "B" model.

The rubber block may be cylindrical in cases requiring greater load capacity or as a diabolito when greater elasticity is required in all directions.

OPERATION AND ASSEMBLY

Its elasticity is much greater in all the directions parallel to the armatures than in the perpendicular direction. The rubber works based on compression or shear depending on the direction it is placed at installation time. This direction is made according to the use and the objective.

It is therefore installed with nuts or screws depending on the model chosen, with one part attached to the fixed chassis and the other to the machine to be suspended.

TECHNICAL CHARACTERISTICS

Depending on the size of the rubber block, the AMC Mecanocaucho® bobbing has more or less elasticity, which is greater particularly in all directions perpendicular to its axis (shear).

The AMC Mecanocaucho® bobbing thus makes it possible to make joints which permit major relative movements, up to several millimetres (in the case of heat expansion, chassis deformations, etc.).

The AMC Mecanocaucho® bobbing serves very well for the vibration isolation of machines where the vibrations are perpendicular to their axis, unless these stresses are too much when applied in this direction.

ADVANTAGES

- Easy to install.
- High elasticity (particularly transversal).
- Economical.

APPLICATIONS

The AMC Mecanocaucho® bobbins are particularly suitable for installation on small motor-pumps, motor-ventilators, driers, sieves, compactors, washing machines, electrical motors, on-board control panels, measuring apparatuses, control cabinets, microphones, fluorescent tubes, etc.

AMC MECANOCAUCHO® BOBBINS TYPE A

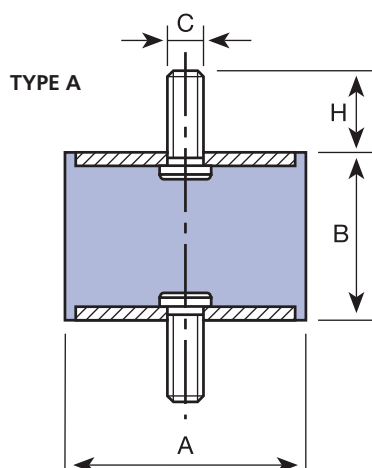
OPERATION AND ASSEMBLY

Their elasticity is much greater in all the directions parallel to the armatures than in the perpendicular direction. The rubber works based on compression or shear depending on the direction it is placed in at installation time. This direction is made according to the use and the objective.

It is therefore installed with nuts or screws depending on the model chosen, with one part attached to the fixed chassis and the other to the machine to be suspended.

APPLICATIONS

The AMC Mecanocaucho® bobbins are particularly suitable for installation on small motor-pumps, motor-ventilators, driers, sieves, compactors, washing machines, electrical motors, on-board control panels, measuring apparatuses, control cabinets, microphones, fluorescent tubes, etc.



A	B	C	H	COMPRESSION		SHEAR		CODE
				LOAD max. daN	DEFLECT. m.m.	LOAD max. daN	DEFLECT. m.m.	
12,5	10	M-5	10	12	2	1,5	1,5	120001
	15			10	3	1,5	2	120002
	20			8	3,5	1,5	4	120003
16	10	M-5	12	20	1,5	2,5	1,5	120011
	15			20	3	2,5	2	120012
	20			15	4	2,5	4	120013
	25			15	5	2	5	120014
	25			40	1,5	5	1	120021
20	15	M-6	16,5	35	4	5	2,5	120022
	20			30	5	5	3,5	120023
	25			30	5,5	4,5	4,5	120024
	30			25	7	4,5	4,5	120025
	10			80	2	8	1,5	120171
25,5	15	M-6	18	60	3,5	8	2,5	120172
	20			55	4,5	8	3,5	120173
	25			50	6	8	4,5	120174
	30			50	8	8	6	120175
	30			80	2	8	1,5	120026
30	15	M-8	20	60	3,5	8	2,5	120031
	19			55	4,5	8	3,5	120032
	22			50	5,5	8	4	120033
	25			50	6	8	4,5	120034
	30			50	8	8	6	120035
	40			50	10	10	6	120036
	15			90	3	11	2,5	120041
30	22	M-8	20	80	5	11	4	120042
	25			75	6,5	11	5	120186
	30			70	8	11	6	120043
	40			60	9	11	7,5	120044
	20			160	5	20	3	120193
40	25	M-8	20	150	6	20	3,5	120194
	28			150	6	20	5,5	120195
	30			150	6	30	5,5	120196
	35			120	8	20	6,5	120197
	40			120	10	20	7,5	120198
	45			120	11	20	9	120199
	20			160	5	20	3	120051
	50			25	M-10	25	150	6
28		150	6	20			5,5	120052
30		150	6	30			5,5	120192
35		120	8	20			6,5	120053
40		120	10	20			7,5	120054
45		120	11	20			9	120055
20		300	5	25			3,5	120201
60		25	M-10	25			300	6
	30	275			7	25	6,5	120202
	35	250			8	25	7	120062
	40	210			10	25	8	120203
	45	190			11	25	9	120063
	50	170			11	25	10,5	120204
	60	150			11	25	12	120064
	25	400			6	30	4,5	120071
70	36	M-10	25	300	9	30	7	120072
	45			250	11	30	9	120073
	60			200	12	30	10	120074
	35			450	8	35	6,5	120081
	50			350	11	35	11	120082
75	60	M-10	25	300	12	35	13	120083
	70			300	14	35	15	120084
	25			650	7	37	5	120091
	40			500	9	37	7	120092
80	45	M-12	30	500	10	37	9	120093
	55			450	11	37	11	120094
	30			950	7	40	5	120101
	40			600	9	40	7	120102
	50			550	10	40	8	120103
	55			550	11	40	9	120104
	70			500	13	40	15	120105
95	75	M-14	35	450	14	40	16	120106
	40			1.200	8	60	7	120111
	55			1.000	11	60	8	120112
	60			800	12	60	10	120113
	75			700	13	60	14	120114
105	50	M-16	45	1.200	9	80	9	120121
	75			1.000	13	80	14	120122
	100			800	16	80	16	120123
120	50	M-16	45	1.500	9	100	9	120131
	75			1.200	13	100	14	120132
	100			1.000	16	100	16	120133
130	50	M-16	45	1.600	9	120	9	120142
	75			1.450	13	120	14	120143
	100			1.200	16	120	16	120144
150	50	M-20	50	1.800	9	140	9	120151
	75			1.650	13	140	14	120152
	100			1.400	16	140	16	120153

NEW REFERENCES

AMC MECANOCAUCHO® BOBBINS TYPE B

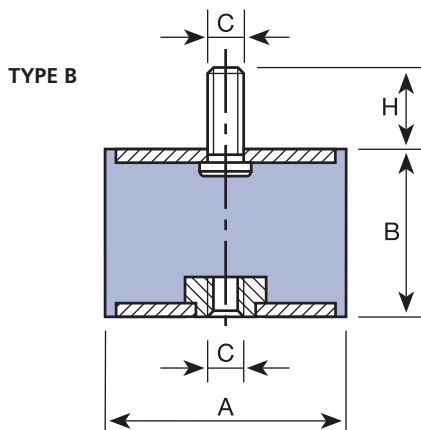
OPERATION AND INSTALLATION

Their elasticity is much greater in all the directions parallel to the armatures than in the perpendicular direction. The rubber works based on compression or shear depending on the direction it is placed in at installation time. This direction is made according to the use and the objective.

It is therefore installed with nuts or screws depending on the model chosen, with one part attached to the fixed chassis and the other to the machine to be suspended.

APPLICATIONS

The AMC Mecanocaucho® bobbins are particularly suitable for installation on small motor-pumps, motor-ventilators, driers, sieves, compactors, washing machines, electrical motors, on-board control panels, measuring apparatuses, control cabinets, microphones, fluorescent tubes, etc.



A	B	C	H	COMPRESSION		SHEAR		CODE
				LOAD max. daN	DEFLECT. m m.	LOAD max. daN	DEFLECT. m m.	
12,5	10	M-5	10	12	2	1,5	1,5	121001
	15			10	3	1,5	2	121002
	20			8	3,5	1,5	4	121003
16	10	M-5	12	20	1,5	2,5	1,5	121011
	15			20	3	2,5	2	121012
	20			15	4	2,5	4	121013
	25			15	5	2	5	121014
	25			35	2,5	5	2,5	121022
20	20	M-6	16,5	30	4,5	5	3,5	121023
	25			30	5,5	4,5	4,5	121024
	30			25	7	4,5	4,5	121025
	30			60	2,5	8	2,5	121172
25,5	20	M-6	18	50	3,5	8	3,5	121173
	25			50	6	8	4,5	121174
	30			50	7,5	8	6	121175
	15			60	3,5	8	2,5	121031
	19			55	4,5	8	3,5	121032
30	22	M-8	20	50	3,5	8	4	121033
	25			50	5	8	4,5	121034
	30			50	7,5	8	6	121035
	40			50	10	10	6	121036
	15			90	3	11	2,5	121041
30	22	M-8	20	80	4,5	11	4	121042
	25			75	6,5	11	5	121186
	30			70	7,5	11	6	121043
	40			60	9	11	7,5	121044
	20			160	4	20	3	121193
40	25	M-8	20	150	4,5	20	3,5	121194
	28			150	5	20	5,5	121195
	30			150	4,5	30	5,5	121196
	35			120	7,5	20	6,5	121197
	40			120	10	20	7,5	121198
	45			120	11	20	9	121199
	20			160	4	20	3	121051
	25			150	4,5	20	3,5	121191
50	28	M-10	25	150	5	20	5,5	121052
	30			150	6	30	5,5	121192
	35			120	7,5	20	6,5	121053
	40			120	10	20	7,5	121054
	45			120	11	20	9	121055
	20			300	5	25	3,5	121201
	25			300	6	25	4,5	121061
	30			275	8	25	6,5	121202
60	35	M-10	25	250	8	25	7	121062
	40			210	10	25	8	121203
	45			190	11	25	9	121063
	50			170	11	25	10,5	121204
	60			150	11	25	12	121064
	25			400	6	30	4,5	121071
70	36	M-10	25	300	8	30	7	121072
	45			250	10	30	9	121073
	60			200	12	30	10	121074
	70			450	7,5	35	6,5	121081
75	50	M-10	25	350	10	35	11	121082
	60			300	12	35	13	121083
	70			300	14	35	15	121084
	25			650	7	37	5	121091
	40			500	9	37	7	121092
80	45	M-12	30	500	10	37	9	121093
	55			450	11	37	11	121094
	30			950	7	40	5	121101
	40			600	7	40	7	121102
	50			550	8	40	8	121103
	55			550	9	40	9	121104
95	70	M-14	35	500	11	40	15	121105
	75			450	12	40	16	121106
	40			1.200	8	60	7	121111
	55			1.000	10,5	60	8	121112
105	60	M-16	45	800	9	60	10	121113
	75			700	11	60	14	121114
	50			1.200	7	80	9	121121
	75			1.000	9	80	14	121122
120	100	M-16	45	800	11	80	16	121123
	50			1.500	9	100	9	121131
	75			1.200	10,5	100	14	121132
130	100	M-16	45	1.000	11	100	16	121133
	50			1.600	6	120	9	121142
	75			1.450	8	120	14	121143
150	100	M-20	50	1.200	9	120	16	121144
	50			1.800	5	140	9	121151
	75			1.650	6	140	14	121152
	100			1.400	8	140	16	121153

NEW REFERENCES

AMC MECANOCAUCHO® BOBBINS TYPE C

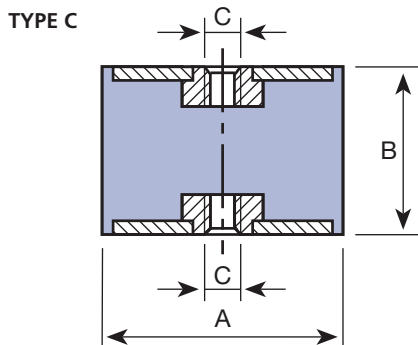
OPERATION AND INSTALLATION

Their elasticity is much greater in all the directions parallel to the armatures than in the perpendicular direction. The rubber works based on compression or shear depending on the direction it is placed in at installation time. This direction is made according to the use and the objective.

It is therefore installed with nuts or screws depending on the model chosen, with one part attached to the fixed chassis and the other to the machine to be suspended.

APPLICATIONS

The AMC Mecanocaucho® bobbins are particularly suitable for installation on small motor-pumps, motor-ventilators, driers, sieves, compactors, washing machines, electrical motors, on-board control panels, measuring apparatuses, control cabinets, microphones, fluorescent tubes, etc.



A	B	C	COMPRESSION		SHEAR		CODE	
			LOAD max. daN	DEFLECT. m.m.	LOAD max. daN	DEFLECT. m.m.		
12,5	15	M-5	10	3	1,5	2	122002	
	20		8	3,5	1,5	4	122003	
16	20	M-5	15	4	2,5	4	122013	
	25		15	5	2	5	122014	
20	20	M-6	30	5	5	3,5	122023	
	25		30	5,5	4,5	4,5	122024	
	30		25	7	4,5	4,5	122025	
25,5	20	M-6	55	4,5	8	3,5	122173	
			50	6	8	4,5	122174	
			50	8	8	6	122175	
	25,5	M-8	19	55	4,5	8	3,5	122032
			22	50	5,5	8	4	122033
			25	50	6	8	4,5	122034
			30	50	8	8	6	122035
			40	50	10	10	6	122036
			40	50	10	10	6	122036
30	M-8	22	80	5	11	4	122042	
		25	75	6,5	11	5	122186	
		30	70	8	11	6	122043	
		40	60	9	11	7,5	122044	
40	M-8	25	150	6	20	3,5	122194	
		28	150	6	20	5,5	122195	
		30	150	6	30	5,5	122196	
		35	120	8	20	6,5	122197	
		40	120	10	20	7,5	122198	
		45	120	11	20	9	122199	
	40	M-10	28	150	6	20	5,5	122052
			30	150	6	30	5,5	122192
			35	120	8	20	6,5	122053
			40	120	10	20	7,5	122054
45	120	11	20	9	122055			
50	M-10	25	300	6	25	4,5	122061	
		30	275	7	25	6,5	122202	
		35	250	8	25	7	122062	
		40	210	10	25	8	122203	
		45	190	11	25	9	122063	
		50	170	11	25	10,5	122204	
		60	150	11	25	12	122064	
60	M-10	25	400	6	30	4,5	122071	
		36	300	9	30	7	122072	
		45	250	11	30	9	122073	
		60	200	12	30	10	122074	
70	M-10	35	450	8	35	6,5	122081	
		50	350	11	35	11	122082	
		60	300	12	35	13	122083	
		70	300	14	35	15	122084	
75	M-12	40	500	9	37	7	122092	
		45	500	10	37	9	122093	
		55	450	11	37	11	122094	
80	M-14	30	950	7	40	5	122101	
		40	600	9	40	7	122102	
		50	550	10	40	8	122103	
		55	550	11	40	9	122104	
		70	500	13	40	15	122105	
75	450	14	40	16	122106			
95	M-16	40	1.200	8	60	7	122111	
		55	1.000	11	60	8	122112	
		60	800	12	60	10	122113	
		75	700	13	60	14	122114	
105	M-16	50	1.200	9	80	9	122122	
		75	1.000	13	80	14	122123	
		100	800	16	80	16	122124	
120	M-16	50	1.500	9	100	9	122131	
		75	1.200	13	100	14	122132	
		100	1.000	16	100	16	122133	
130	M-16	50	1.600	9	120	9	122142	
		75	1.450	13	120	14	122143	
		100	1.200	16	120	16	122144	
150	M-20	50	1.800	9	140	9	122151	
		75	1.650	13	140	14	122152	
		100	1.400	16	140	16	122153	

NEW REFERENCES

STANDARD STAINLESS STEEL AMC- MECANOCAUCHO® BOBBINGS.

OPERATION AND ASSEMBLY

Their elasticity is much greater in all the directions parallel to the armatures than in the perpendicular direction. The rubber works based on compression or shear depending on the direction it is placed in at installation time. This direction is made according to the use and the objective.

It is therefore installed with nuts or screws depending on the model chosen, with one part attached to the fixed chassis and the other to the machine to be suspended.

APPLICATIONS

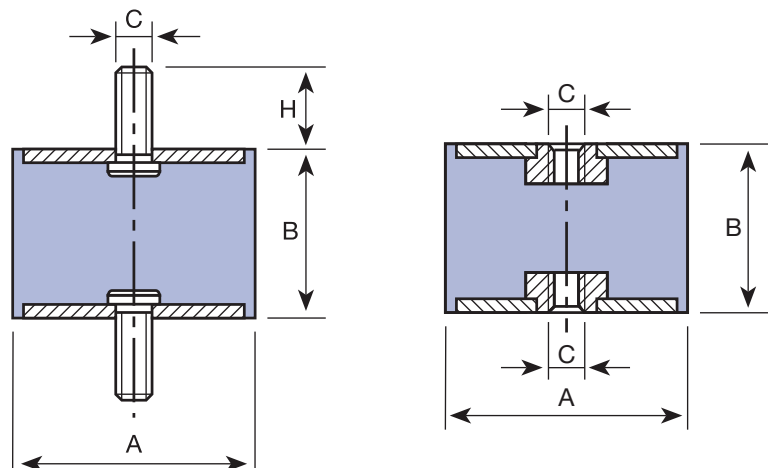
The AMC Mecanocaucho® bobbins are particularly suitable for installation on small motor-pumps, motor-ventilators, driers, sieves, compactors, washing machines, electrical motors, on-board control panels, measuring apparatuses, control cabinets, microphones, fluorescent tubes, etc.

TYPE A

A	B	C	H	KOMPRESSIION		SCHERUNG		Art.Nr.
				Max.Last Max. daN	EINFEDERUNG m.m.	Max.Last Max. daN	EINFEDERUNG m.m.	
20	20	M-6	18	30	5	5	3,5	120301
20	25	M-6	18	30	5,5	4,5	4,5	120302
25	25	M-6	18	55	4,5	8	3,5	120303
25	30	M-6	18	50	8	8	6	120304
30	20	M-8	23	80	5	11	4	120305
30	30	M-8	23	70	8	11	6	120306
40	30	M-8	23	150	6	30	5,5	120307
40	40	M-10	28	120	10	20	7,5	120308
50	25	M-10	28	300	6	25	4,5	120309
50	35	M-10	28	250	8	25	7	120310
50	45	M-10	28	190	11	25	9	120311
60	35	M-10	28	300	9	30	7	120312
60	45	M-10	28	250	11	30	9	120313
60	60	M-10	28	200	12	30	10	120314
70	45	M-12	37	350	11	35	11	120315

TYPE C

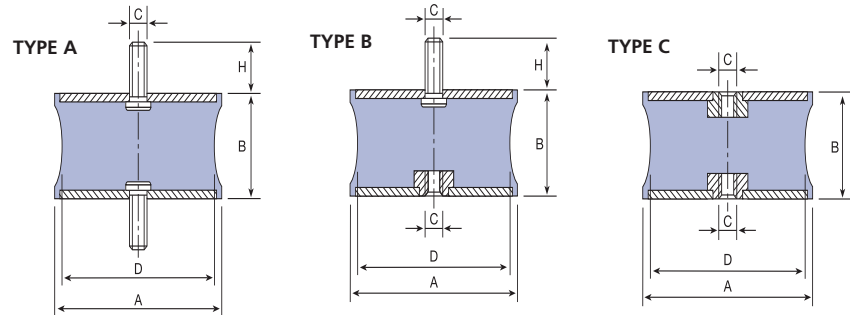
A	B	C	H	KOMPRESSIION		SCHERUNG		CODICE
				Max.Last Max. daN	EINFEDERUNG m.m.	Max.Last Max. daN	EINFEDERUNG m.m.	
60	35	M-10		300	9	30	7	120401
60	60	M-10		200	12	30	10	120402
70	55	M-12		325	11,5	35	12	120403
80	75	M-12		450	14	40	16	120404
100	80	M-16		1000	13	80	14	120405



AMC MECANOCAUCHO® DIABOLO MOUNTS

APPLICATIONS

The AMC Mecanocaucho® Diabolo Mounts are particularly suitable for installation on small motor-pumps, motor-ventilators, driers, sieves, compactors, washing machines, electrical motors, on-board control panels, measuring apparatuses, control cabinets, microphones, fluorescent tubes, etc.



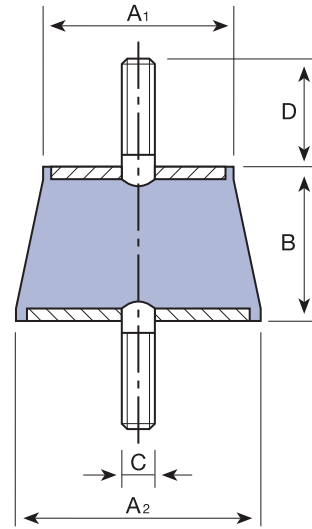
	TYPE	A	B	C	D	H	COMPRESION		SHEAR		CODE
							LOAD max. daN	DEFLECTION m.m.	LOAD max. daN	DEFLECTION m.m.	
TYPE A	F.000N	12	12	M-5	8	10	4	1.5	0,4	1.5	129001
	F.00N	20	19	M-6	13.5	16.5	12	2.5	3	5	129002
	F.3	30	25	M-8	24	20	40	5	4	4.5	129003
	F.ON	40	28	M-10/M-8	19	25	30	5	2.5	4.5	129004
	F.9	40	30	M-8	26	25	45	3	4	4.5	129005
	F.7	44	42	M-8	25	25	50	6	9	6	129006
	F.1	60	44	M-8	24	20	40	5	7	5	129007
	F.2	60	44	M-8/M-10	34	20	75	5	12	6	129008
	F.4	60	60	M-10	50	25	150	8	30	10	129009
	F.8	60	36	M-10	37	25	100	7	20	8	129010
	F.5	80	70	M-14	70	35	300	9.5	55	9,8	129011
	F.6	95	76	M-16	80	45	400	9.5	70	8	129012
TYPE B	F.000N	12	12	M-5	8	10	4	1,5	0,4	1.5	129101
	F.00N	20	19	M-6	13,5	16,5	12	2,5	3	5	129102
	F.3	30	25	M-8	24	20	40	5	4	4,5	129103
	F.ON	40	28	M-10/M-8	19	25	30	5	2,5	4,5	129104
	F.9	40	30	M-8	26	25	45	3	4	4,5	129105
	F.7	44	42	M-8	25	25	50	6	9	6	129106
	F.1	60	44	M-8	24	20	40	5	7	5	129107
	F.2	60	44	M-8/M-10	34	20	75	5	12	6	129108
	F.4	60	60	M-10	50	25	150	8	30	10	129109
	F.8	60	36	M-10	37	25	100	7	20	8	129110
	F.5	80	70	M-14	70	35	300	9,5	55	9,8	129111
	F.6	95	76	M-16	80	45	400	9,5	70	8	129112
TYPE C	F.00N	20	19	M-6	13.5	16.5	12	2.5	3	5	129202
	F.3	30	25	M-8	24	20	40	5	4	4.5	129203
	F.ON	40	28	M-10/M-8	19	25	30	5	2.5	4.5	129204
	F.9	40	30	M-8	26	25	45	3	4	4.5	129205
	F.7	44	42	M-8	25	25	50	6	9	6	129206
	F.1	60	44	M-8	24	20	40	5	7	5	129207
	F.2	60	44	M-8/M-10	34	20	75	5	12	6	129208
	F.4	60	60	M-10	50	25	150	8	30	10	129209
	F.8	60	36	M-10	37	25	100	7	20	8	129210
	F.5	80	70	M-14	70	35	300	9.5	55	9,8	129211
	F.6	95	76	M-16	80	45	400	9.5	70	8	129212

TRAPEZOID SUPPORTS AMC MECANOCAUCHO®

APPLICATIONS

Trapezoid mounts for ventilation boxes, small air-conditioning units, etc.

TYPE	DIMENSIONS m.m.					LOAD Kg.		CODE
	A ₁	A ₂	B	C	D	MIN	MAX	
A-35-b	30	40	24	M-8	24	3	30	131001
A-35	30	40	24	M-8	24	25	50	131002
A-45-b	40	50	34	M-8	24	50	70	131003
A-45	40	50	34	M-8	24	60	85	131004
A-60	60	65	48	M-12	Type c	85	150	131005
A-130	130	140	72	M-18	Type c	500	1000	131006



ANNULAR MOUNTS AMC MECANOCAUCHO®

APPLICATIONS

The AMC Mecanocaucho® ANNULAR MOUNTS are comprised of a rubber ring joined by two metal parts with screws for fixation. Thanks to their design, these antivibration mounts may insulate low frequencies with low loads.

TYPE	A	B	C	D	G	LOAD	DEFLECTION	CODE
						Kg.	mm.	
828	15	17	M-4	14	8	1,25	5	130003
829	15	17	M-4	14	8	2,5	5	130001
830	30	30	M-8	29	20	5	11	130004
831	30	30	M-8	29	20	5	11	130002

