



BRB

DESCRIPTION

The BRB type AMC Mecanocaucho® mounts are antivibration elements which work the rubber in shear and compression. Their tall height section produce large deflections, low natural frequencies, and excellent vibration isolation results. This range of mounts is suitable for applications where high vibration isolation in the 85-95% range is a priority.

TECHNICAL CHARACTERISTICS

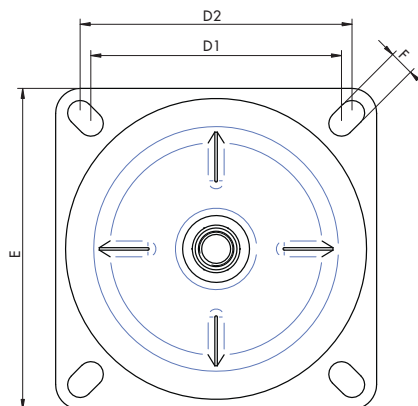
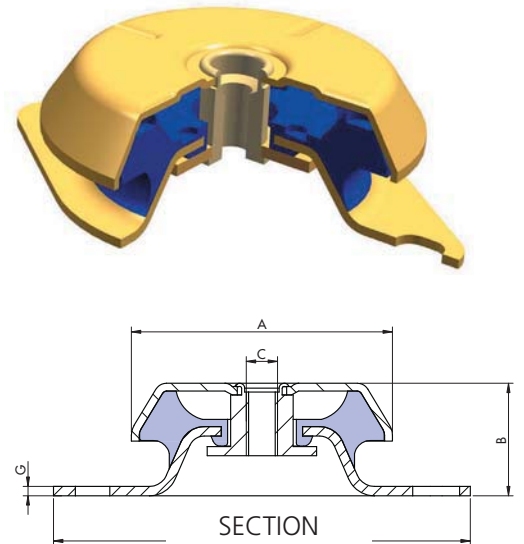
- The top metal hood protects the rubber from the Ozone, UV rays, diesel or oils which damage the rubber.
- The metal parts have a suitable anticorrosive treatment for outdoor applications. RoHS compliant.

- They have an interlocking metal component that provides a fail-safe protection for mobile applications. This device limits the ascending vertical movement when the mounting is submitted to shocks at traction.
- The mounts are clearly identified, as the baseplates are engraved with the type and hardness, which makes it possible to easily recognise the part even after several years of use.
- The hood has a cross stamped on the top, which enhances its rigidity on mobile applications and also improves the evacuation of oils or liquids that precipitate onto it.

APPLICATIONS

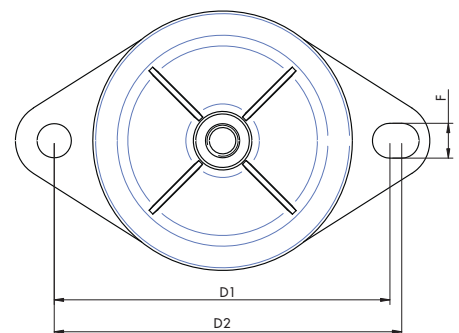
This mount is suitable for the isolation of mobile rotating machines which are exposed to axial and radial shocks, dripping oil, diesel or exposure to the weather. It is particularly interesting for applications where a high level of vibration isolation is required.

| TYPE | AMC | Hardness | | | |
|-------------|-----------------|----------|-------|-------|-------|
| | | 40 Sh | 50 Sh | 60 Sh | 70 Sh |
| BRB 50 | Max. Load (Kg.) | 20 | 40 | 50 | 80 |
| BRB 60 | Max. Load (Kg.) | 30 | 45 | 65 | 75 |
| BRB 65 | Max. Load (Kg.) | 50 | 75 | 120 | 140 |
| BRB 70 | Max. Load (Kg.) | 50 | 75 | 120 | 140 |
| BRB 80 M10 | Max. Load (Kg.) | 80 | 130 | 175 | 235 |
| BRB 80 M12 | Max. Load (Kg.) | 80 | 130 | 175 | 235 |
| BRB 110 M12 | Max. Load (Kg.) | 200 | 305 | 420 | 450 |
| BRB 110 M16 | Max. Load (Kg.) | 200 | 305 | 420 | 450 |
| BRB 125 | Max. Load (Kg.) | 310 | 450 | 700 | 900 |
| BRB 150 | Max. Load (Kg.) | 450 | 570 | 800 | 1000 |
| BRB 180 | Max. Load (Kg.) | 875 | 1110 | 1700 | 2630 |
| BRB 220 | Max. Load (Kg.) | 1600 | 2400 | 3400 | 4200 |



BRB 150 S. B.
BRB 180
BRB 220

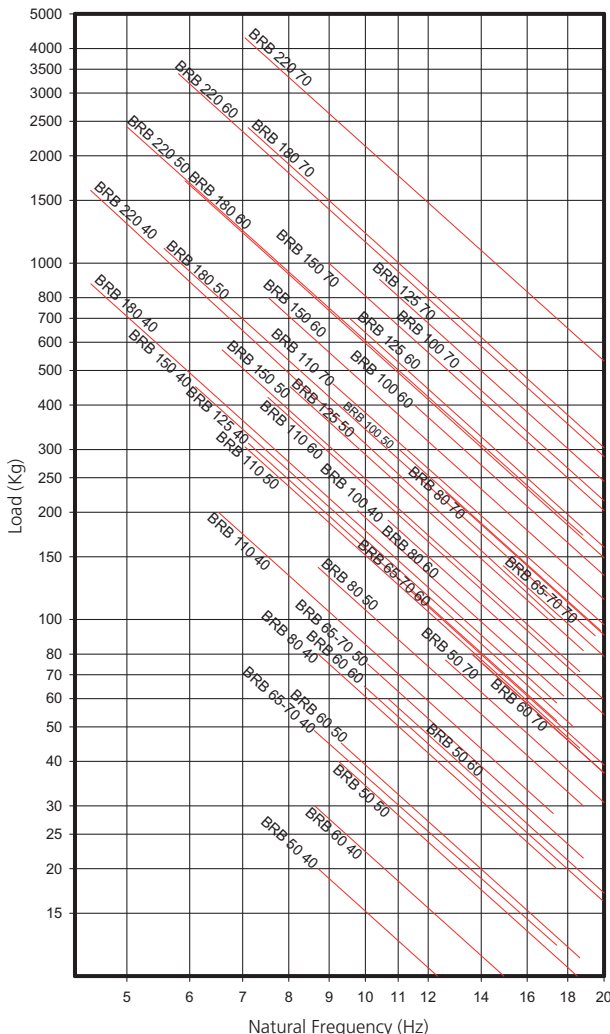
BRB 50
BRB 60
BRB 65
BRB 70
BRB 80
BRB 95
BRB 110
BRB 125
BRB 150



| TYPE | A | B | C | D1 (Mín.) | D2 (Máx.) | E | F | G | CODE 40 SH | CODE 50 SH | CODE 60 SH | CODE 70 SH | WEIGHT (gr.) |
|--------------------------|-----|------|------|-----------|-----------|-----|------|-----|------------|------------|------------|------------|--------------|
| BRB 50 | 50 | 25 | M-8 | 61 | 70 | 85 | 6,5 | 2 | 135451 | 135453 | 135455 | 135457 | 100 |
| BRB 60 | 64 | 35 | M-10 | 76,5 | 90,5 | 110 | 9 | 2,5 | 135101 | 135405 | 135103 | 135104 | 225 |
| BRB 65 M10 | 64 | 35 | M-10 | 76,5 | 90,5 | 110 | 9 | 2,5 | 135421 | 135422 | 135423 | 135424 | 243 |
| BRB 65 M12 | 64 | 35 | M-12 | 76,5 | 90,5 | 110 | 9 | 2,5 | 135431 | 135252 | 135253 | 135254 | 243 |
| BRB 70 | 64 | 35 | M-12 | 100 | 100 | 120 | 11 | 3 | 135251 | 135252 | 135253 | 135254 | 253 |
| BRB 80 M10 | 83 | 35 | M-10 | 108 | 112 | 135 | 11 | 3 | 135231 | 135232 | 135233 | 135234 | 398 |
| BRB 80 M12 | 83 | 35 | M-12 | 108 | 110 | 130 | 9 | 3 | 135275 | 135276 | 135277 | 135278 | 398 |
| BRB 110 M12 | 106 | 41 | M-12 | 137 | 150 | 175 | 13 | 3 | 135241 | 135242 | 135243 | 135244 | 857 |
| BRB 110 M16 | 106 | 41 | M-16 | 137 | 150 | 175 | 13 | 3 | 135331 | 135332 | 135333 | 135334 | 857 |
| BRB 125 | 123 | 48 | M-16 | 154 | 162 | 190 | 14 | 4 | 135618 | 135620 | 135622 | 135624 | 1170 |
| BRB 150 B.C. Square base | 155 | 53,5 | M-16 | 125 | 132 | 164 | 14,5 | 4 | 135205 | 135206 | 135207 | 135208 | 2030 |
| BRB 150 | 155 | 53,5 | M-16 | 176 | 188 | 218 | 14,5 | 4 | 135161 | 135162 | 135163 | 135164 | 1840 |
| BRB 180 | 186 | 84 | M-20 | 146 | 150 | 180 | 14 | 5 | 135391 | 135392 | 135393 | 135394 | 3100 |
| BRB 220 | 225 | 105 | M-24 | 180 | 180 | 220 | 19 | 6 | 135201 | 135200 | 135202 | 135203 | 6716 |

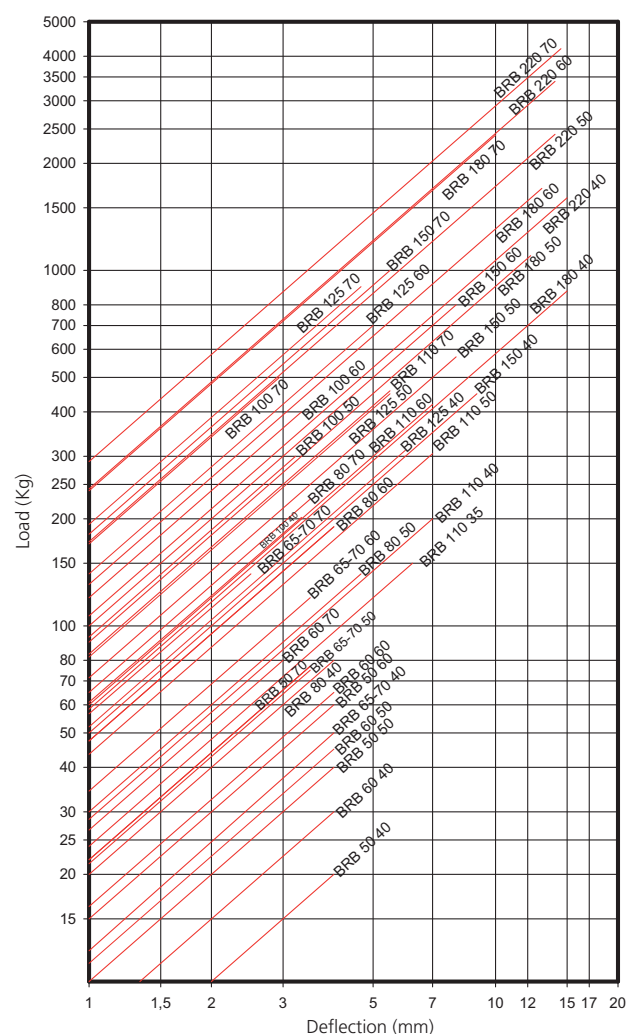
DYNAMIC BRB

NATURAL FREQUENCIES
AMC-MECANOCAUCHO® BRB TYPE



DEFLECTION BRB

LOAD DEFLECTION GRAPHS
AMC-MECANOCAUCHO® BRB TYPE



* In order to adapt its products to the state of the art, AMC .A. reserves the right to modify the conception and manufacture of the materials presented in this catalogue without prior notice