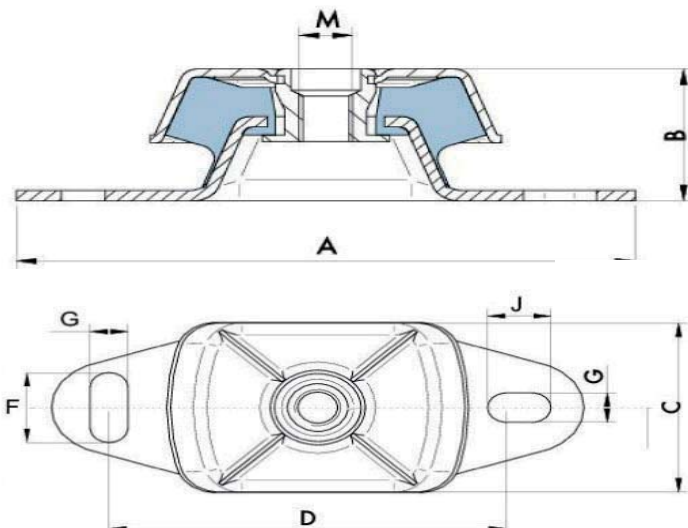
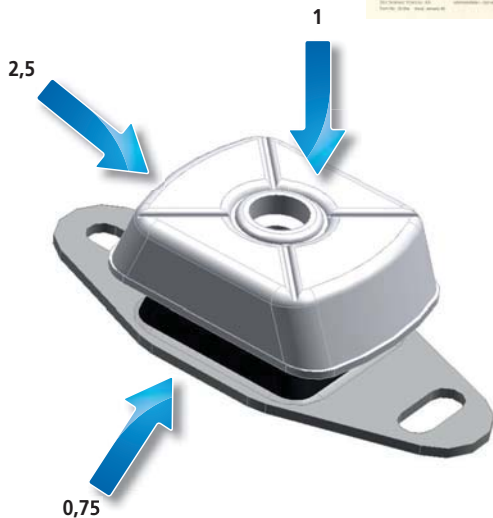




Marine Certificate



# MARINE MOUNTS

## DESCRIPTION

The Marine-type AMC-Mecanocaucho® mounts are ideal for mobile applications thanks to their rugged architecture.

Their special design offers different stiffnesses on the three axes, they are antivibration mounts with great vertical elasticity, great longitudinal stiffness and optimal lateral stiffness to offer extra isolation on this axis.

## TECHNICAL CHARACTERISTICS

-The top part of the hood has a cross-shaped stamp, which improves its stiffness in mobile applications and also improves the evacuation of oils or liquid which splash onto it.

-The metal parts have an anticorrosive treatment which is suitable for outdoor applications. RoHs compliant.

-The mounts are clearly identified, as the bases are engraved with the type and hardness.

-They have an interlocking metal component that provides a fail-safe protection for mobile applications. This device limits the ascending vertical movement when the mounting is submitted to shocks at traction.

-The top part protects the elastomer inside from possible dripping oil, diesel, ozone and ultraviolet emissions that may cause major damage to the rubber.

-For marine engine applications, contact the AMC-Mecanocaucho® technical department.

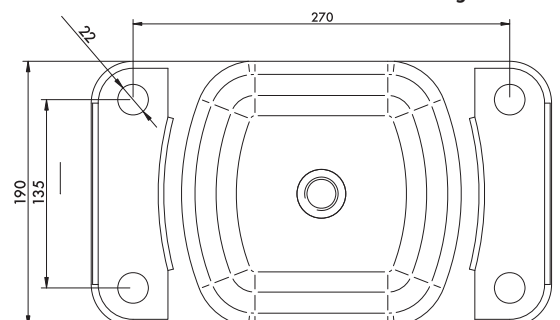
The different stiffnesses for each axis make it possible to offer major flexibility in the direction perpendicular to the crankshaft/shaft of the motor. This provides more effective isolation from vibrations of all types of engines.

## APPLICATIONS

In mobile rotating machines that need a major isolation capacity from vibrations and noises, such as:

- Pumps
- Marine-Land units
- Mobile electrical panels
- Industrial vehicles
- Compressors
- Ventilators
- Marine Propellers

Drawing Marine XL



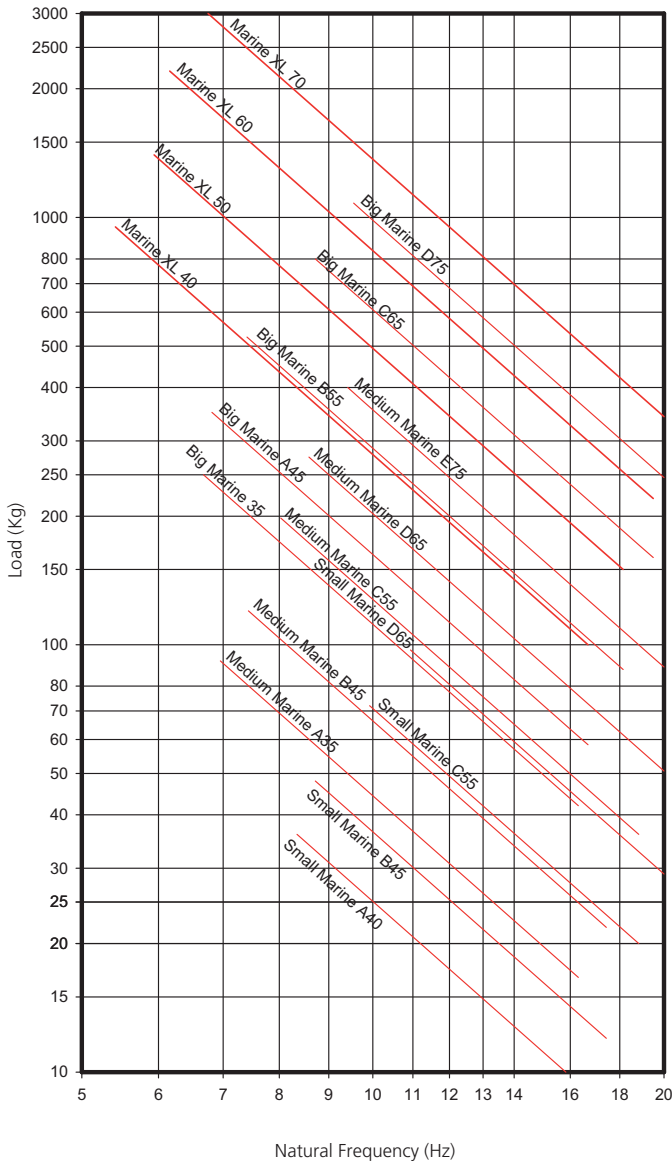
## MARINE TYPE MOUNT

\* Manufacture under request.

TYPE	A	B	C	D	F	G	J	M	AMC	CODE 35 Sh	CODE 40 Sh	CODE 45 Sh	CODE 50 Sh	CODE 55 Sh	CODE 60 Sh	CODE 65 Sh	CODE 70 Sh	CODE 75 Sh	WEIGHT (gr)
SMALL	120	38,5	60	100	14	11	11	M-12	Ref Max Load (Kg)	*	136001 35	136002 45	*	136003 70	*	136004 95	*	136005 110	397
MEDIUM	183	50	75	140	30	13	22	M-16	Ref Max Load (Kg)	136021 95	*	136022 120	*	136023 220	*	136024 280	*	136025 400	857
LARGE	228	68	112	182	34	18	26	M-20	Ref Max Load (Kg)	136040 250	*	136041 350	*	136042 525	*	136043 800	*	136044 1080	2250
XL	330	112	190	270	22	22	22	M-24	Ref Max Load (Kg)	*	136061 950	*	136062 1400	*	136063 2200	*	136064 3000	*	9600

### DYNAMIC MARINE MOUNT

AMC NATURAL FREQUENCIES  
MECANOCAUCHO® DYNAMIC MARINE MOUNT



### MARINE MOUNT DEFLECTION

AMC LOAD DEFLECTION GRAPHS  
MECANOCAUCHO® MARINE TYPE MOUNT

