



HYDROCONES

DESCRIPTION

The AMC-MECANOCAUCHO hydrocone is a combination of a spring component and a hydraulic shock absorber in the shape of a cone. With this both components can be tuned to each other. For good vibration insulation you need a low dampening coefficient but for movement control you need a high dampening coefficient.

The AMC MECANOCAUCHO hydrocone combines these two completely different requirements in one single bearing.

This gives you the opportunity to adapt the dynamic properties of the insulator to the individual requirements of the application.

Our vibration dampeners do this by the hydraulic fluid flowing from one chamber to the next as a result of the movement of the rubber component. An energy loss results from this process which tones down the behaviour of the vibration component.

TECHNICAL PROPERTIES

AMC-MECANO-CAUCHO® hydraulic shock absorbers have an advanced breakaway device inside the bearing that prevents tensile forces on the elastomer by limiting its upward vibration stroke. The newly-developed internal structure of the vibration dampener consists of a metal part system. The elastomer is vulcanised to the whole of this. This prevents a loss of hydraulic fluid should the vibration dampener be subject to great dynamic overloads.

The thickness of the metal parts ensures that the dampener is strong enough for mobile applications. The metal parts are treated with a resistant corrosion protection for outdoor use.

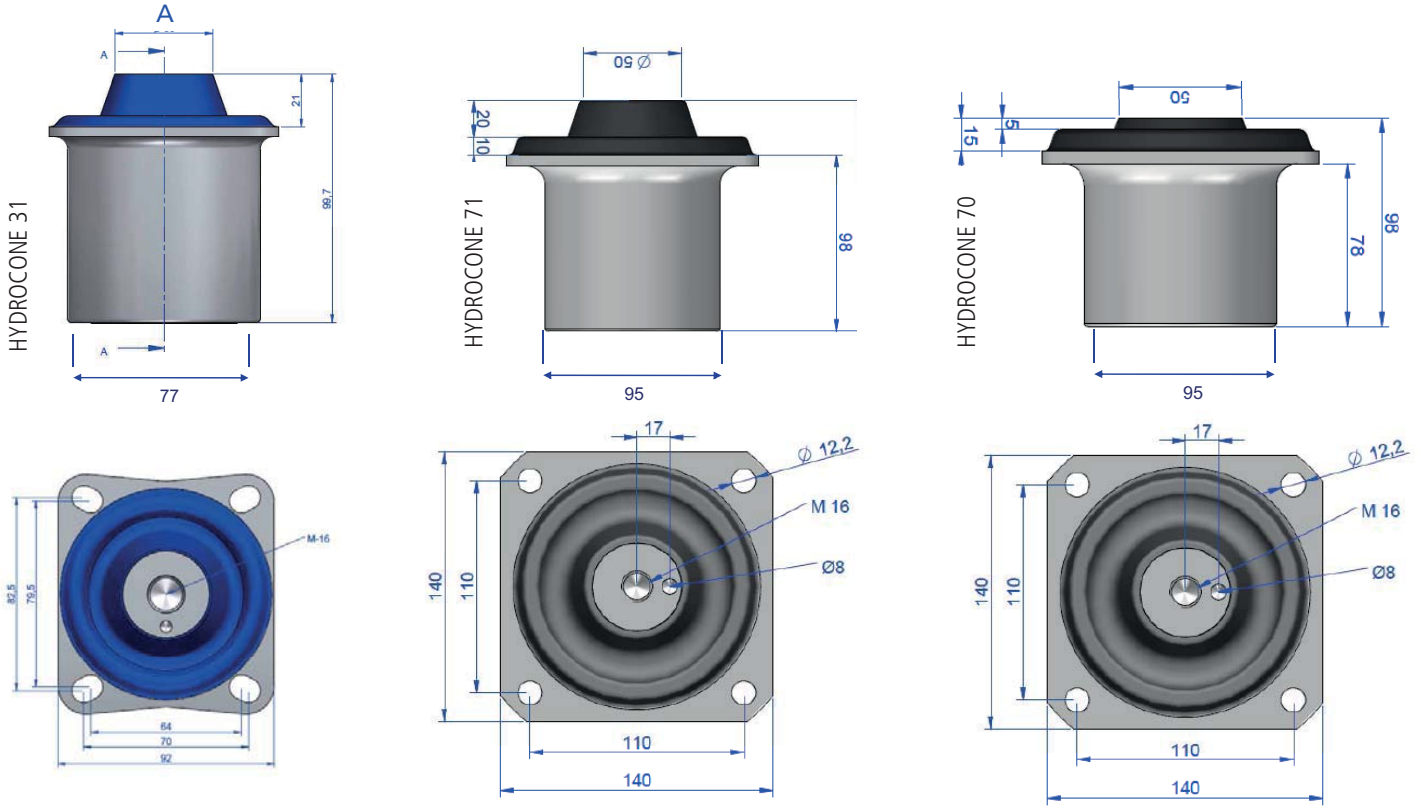
APPLICATION

The AMC-MECANOCAUCHO hydrocone is predominantly designed to insulate the vibration in engines and cabs in off-road vehicles (construction, agricultural and local authority vehicles). The hydrocone has the necessary resilience to achieve a high level of decoupling. However, it also has the necessary stability for these applications in the event of impacts which thus prevents the vehicles from rocking. This ensures a high level of comfort as well as an immediate working and driving experience.

Another advantage becomes apparent with variable speed applications which are within the resonance frequency range in normal operation. This resonance is significantly reduced with the hydrocone.



TYPE	CODE	Max. Load (Kg)	Hardness
HYDROCONE 31	177081	250	40 Sh
	177085	310	45 Sh
	177082	370	50 Sh
	177083	500	60 Sh
	177084	550	70 Sh
HYDROCONE 70	177051	300	40 Sh
	177052	500	50 Sh
	177053	700	60 Sh
	177054	900	70 Sh
HYDROCONE 71	177055	400	40 Sh
	177056	600	50 Sh
	177057	900	60 Sh
	177058	1000	70 Sh



LOAD DEFLECTION
MECANOCAUCHO® Hydrocone

